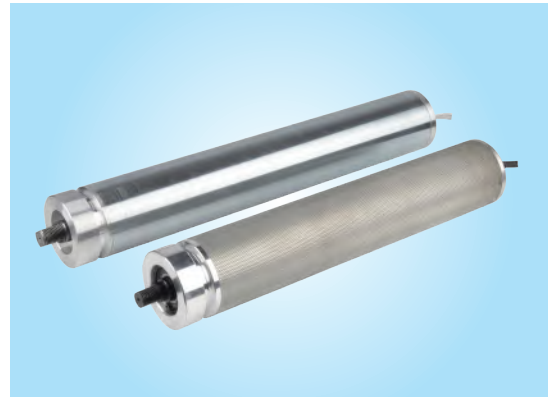


# 50/67 Frame Cross-belt Sorter BLDC Roller

## ● General Information

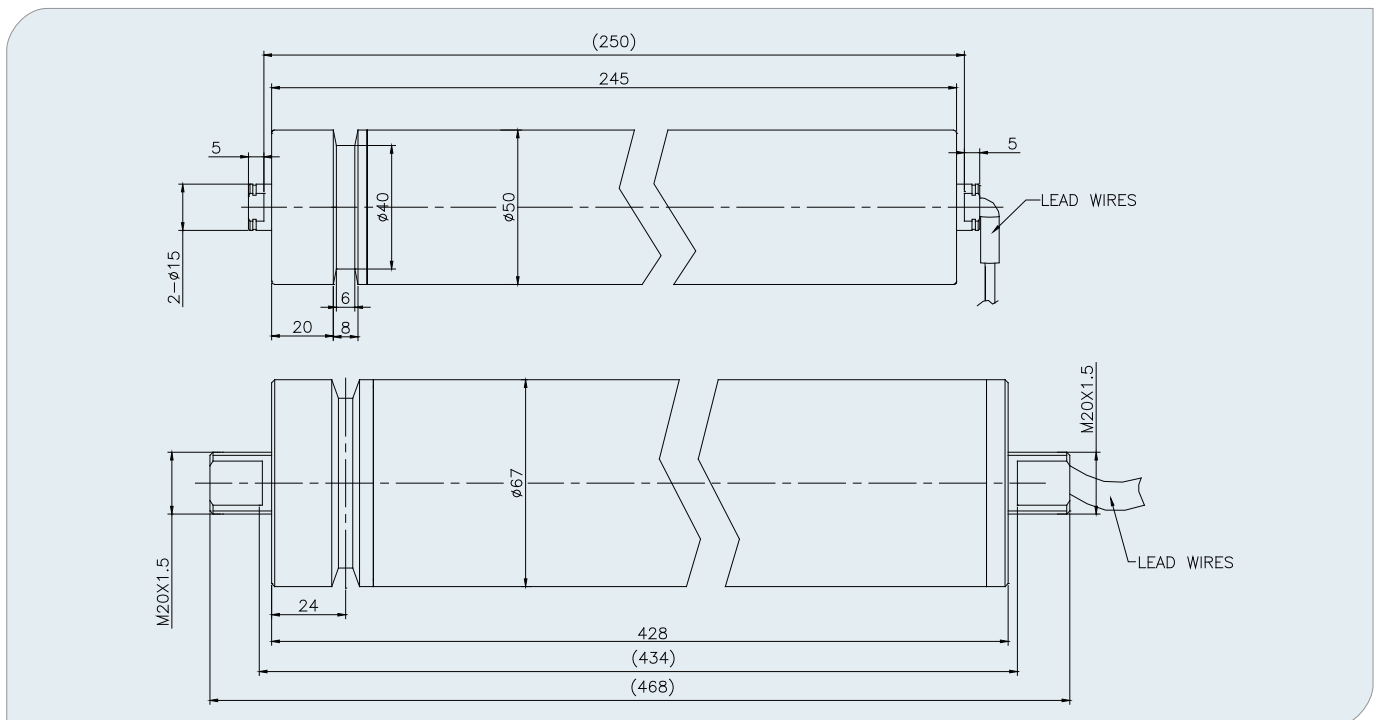
- External rotor
- Direct drive
- Quick response
- Wide speed range
- High strength and low noise
- Surface knurling available
- Roller length to be customized



## ● Specification

Model	Voltage (V)	Rated Power (W)	Max.Torque (Nm)	Speed Range (RPM)	Linear Speed Range (m/s)	Max. Current (A)	Max. Sorting Weight (Kg)	Work Duty
RE050AS100	48	200	4.5	300-800	0.8-2.1	10	25	S2
RE067AS100	48	400	1.5	300-800	1-2.8	25	35	S2

## ● Mechanical



# 50/67 Frame BLDC Sorter Roller Driver



## ● General Information

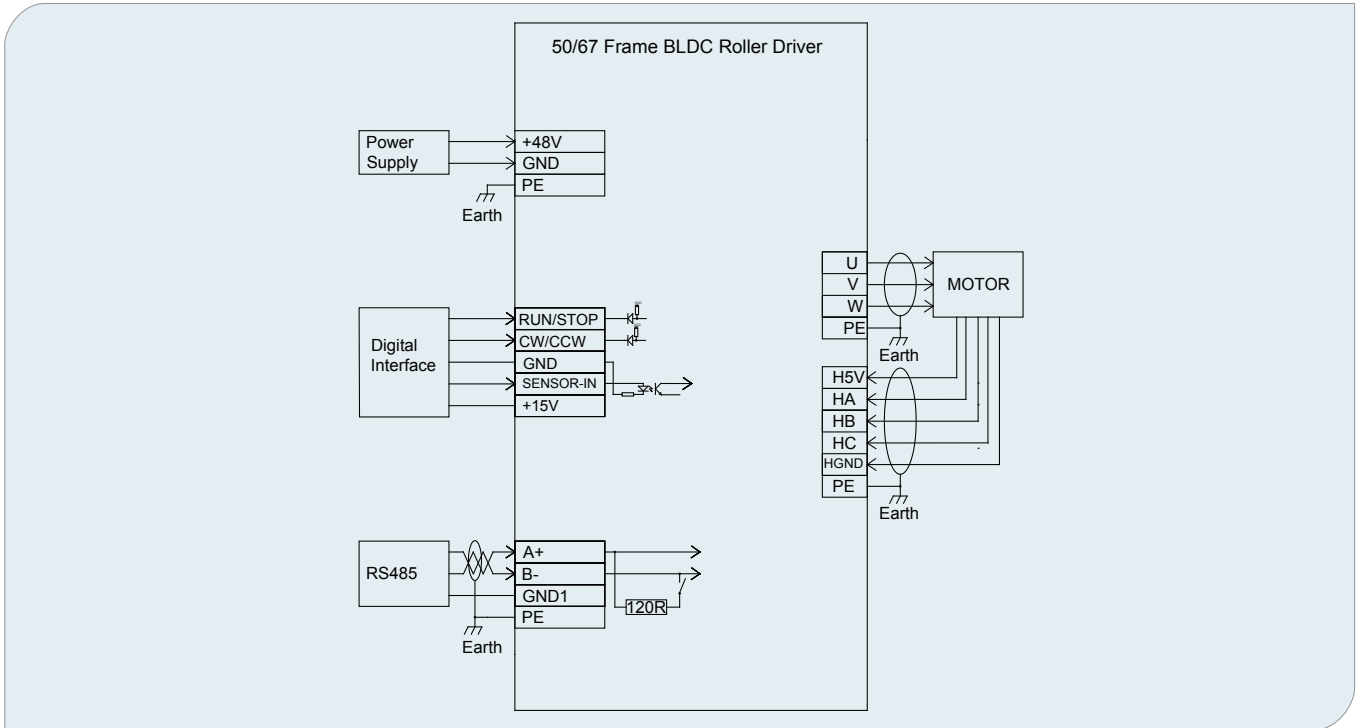
- ▶ Used for BLDC roller motor
- ▶ Input voltage: DC48V
- ▶ Rated output power: 400W
- ▶ RS485 communication
- ▶ S2-25% work duty

## ● Electrical Specification

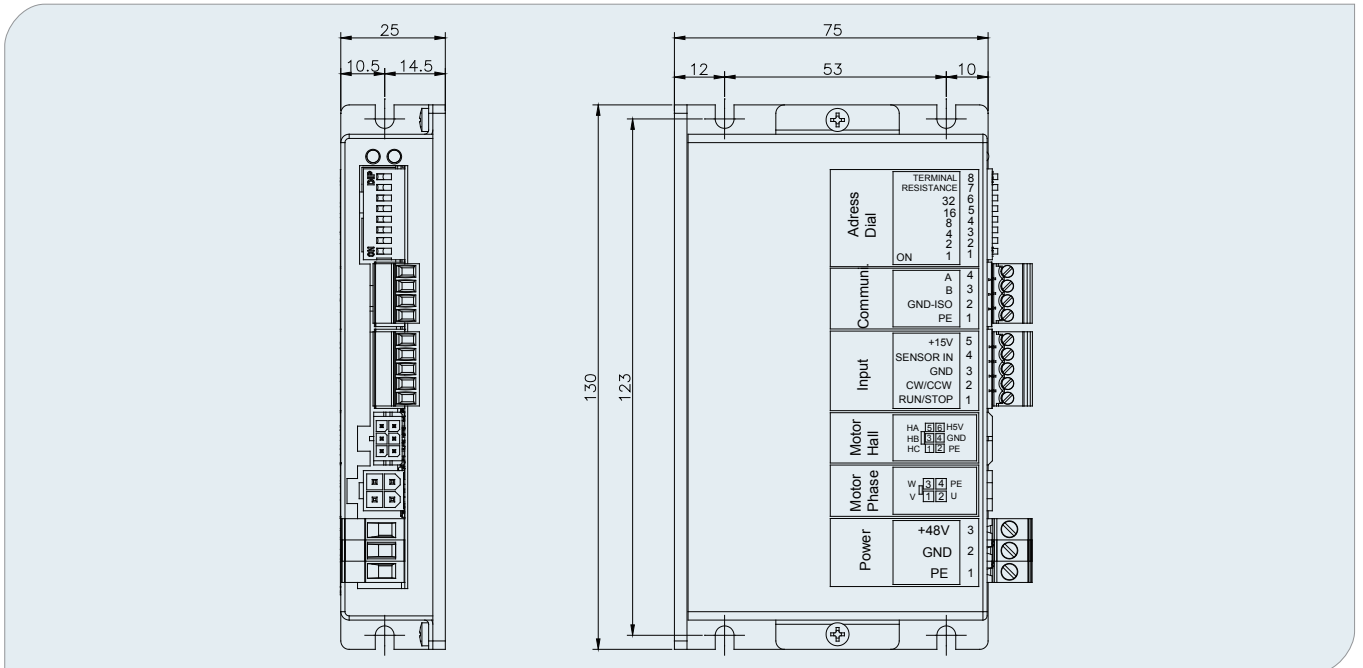
Item	Units	Description	Notes
Power Supply	VDC	48V±5%	
Rated Current	A	10	
Peak Current	A	25	
Rated Power	W	400	
Speed Range	RPM	300-1000	
Speed Control		Communication	
Speed Control Input		Communication or Digital control	
Communication		RS485	
Digital Input		NPN, 5mA	
Work Duty		S2-25%	Based on ambient temperature
Operation Ambient Temperature	°C	0-40	
Operation Ambient Humidity		85% Max.	No water drops or rain
Vibration		Frequency≤20Hz: 9.8m/s <sup>2</sup> ; 20Hz≤Frequency≤50Hz: 2m/s <sup>2</sup>	

# 50/67 Frame BLDC Sorter Roller Driver

## ● Characteristic Diagram



## ● Mechanical



# 50/67 Frame Cross-belt Sorter Servo Roller

## ● General Information

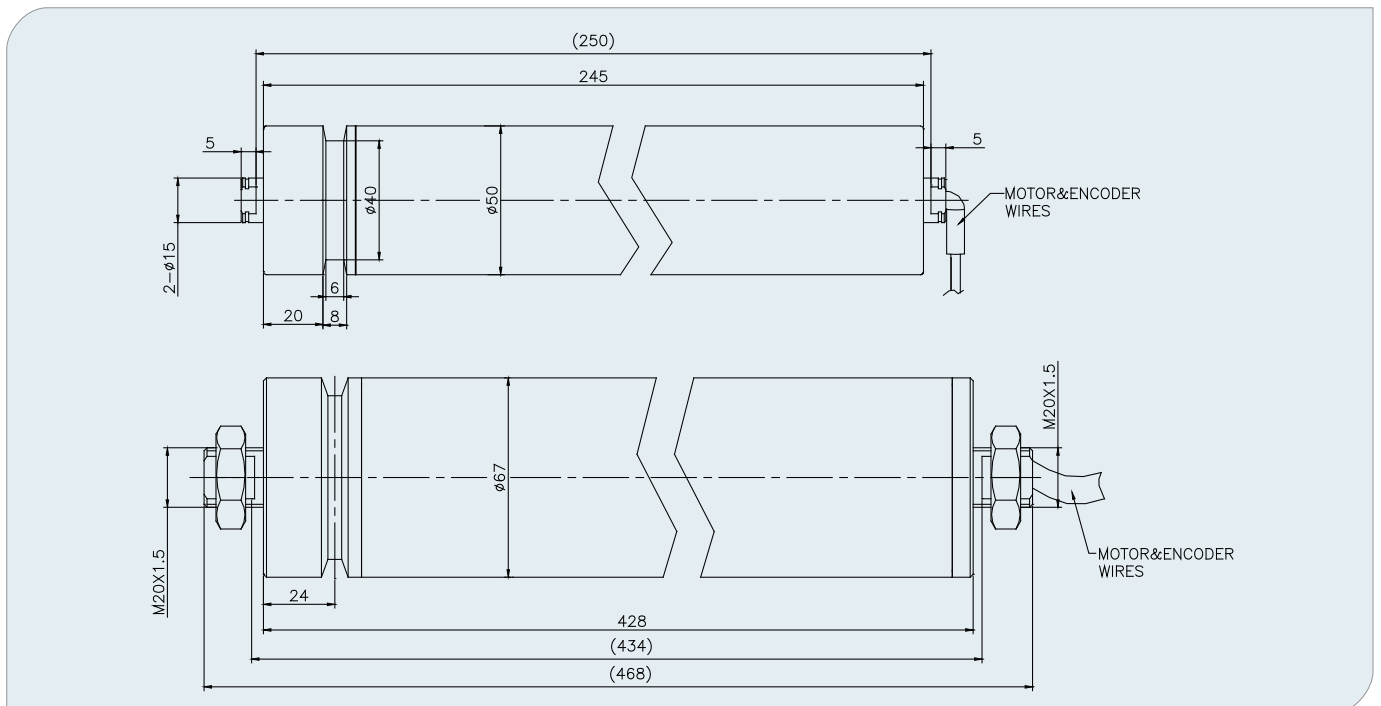
- ▶ External rotor
- ▶ Direct drive
- ▶ Quick response
- ▶ Servo control
- ▶ Inductive encoder
- ▶ Wide speed range
- ▶ Roller length to be customized



## ● Specification

Model	Voltage (V)	Rated Power (W)	Max.Torque (Nm)	Speed Range (RPM)	Linear Speed Range (m/s)	Max. Current (A)	Encoder Res. (PPR)	Max. Sorting Weight (Kg)	Work Duty
RE050VS100	48	300	4.5	300-800	0.8-2.1	10	2500	25	S2
RE067VS100	48	400	15	300-800	1-2.8	25	2500	45	S2

## ● Mechanical



# 50/67 Frame Servo Sorter Roller Driver



## ● General Information

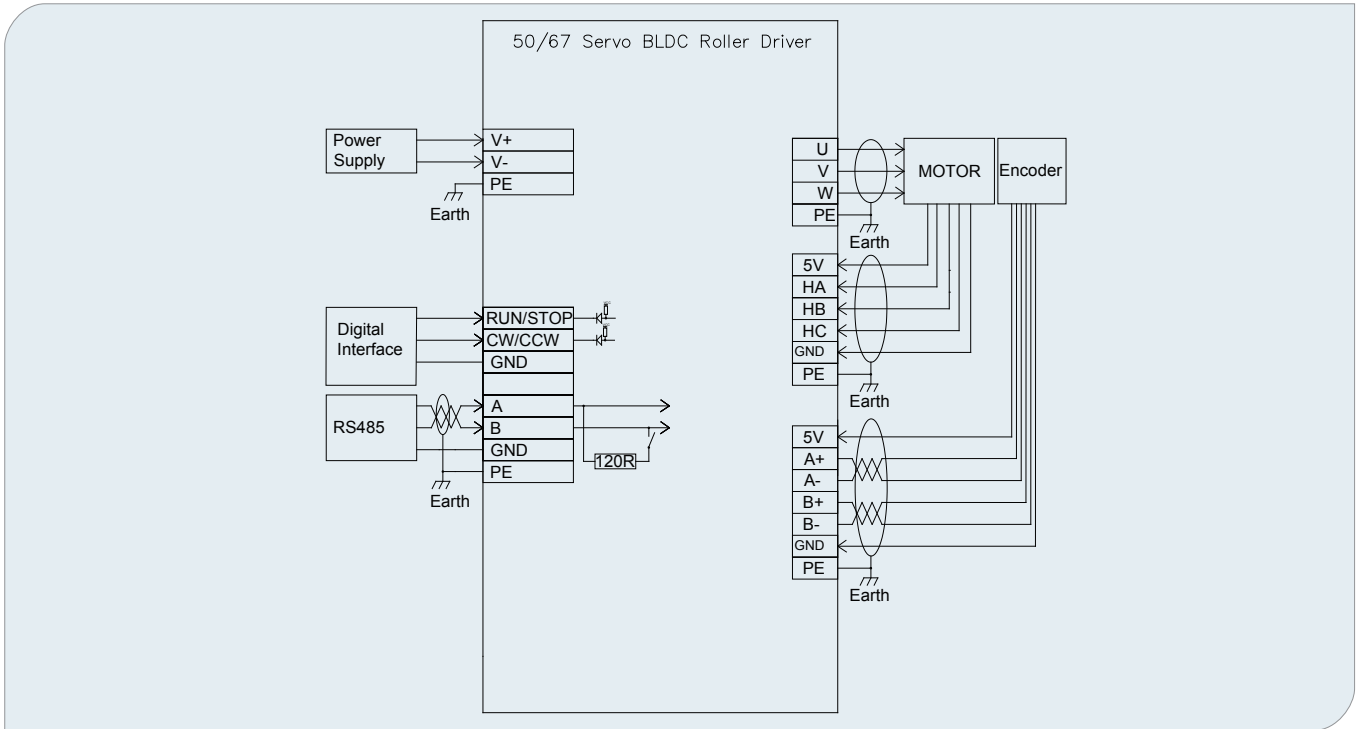
- ▶ Used for Servo BLDC roller motor
- ▶ Input voltage: DC48V
- ▶ Rated output power: 400W
- ▶ RS485 communication
- ▶ Encoder feedback
- ▶ S2-25% work duty

## ● Electrical Specification

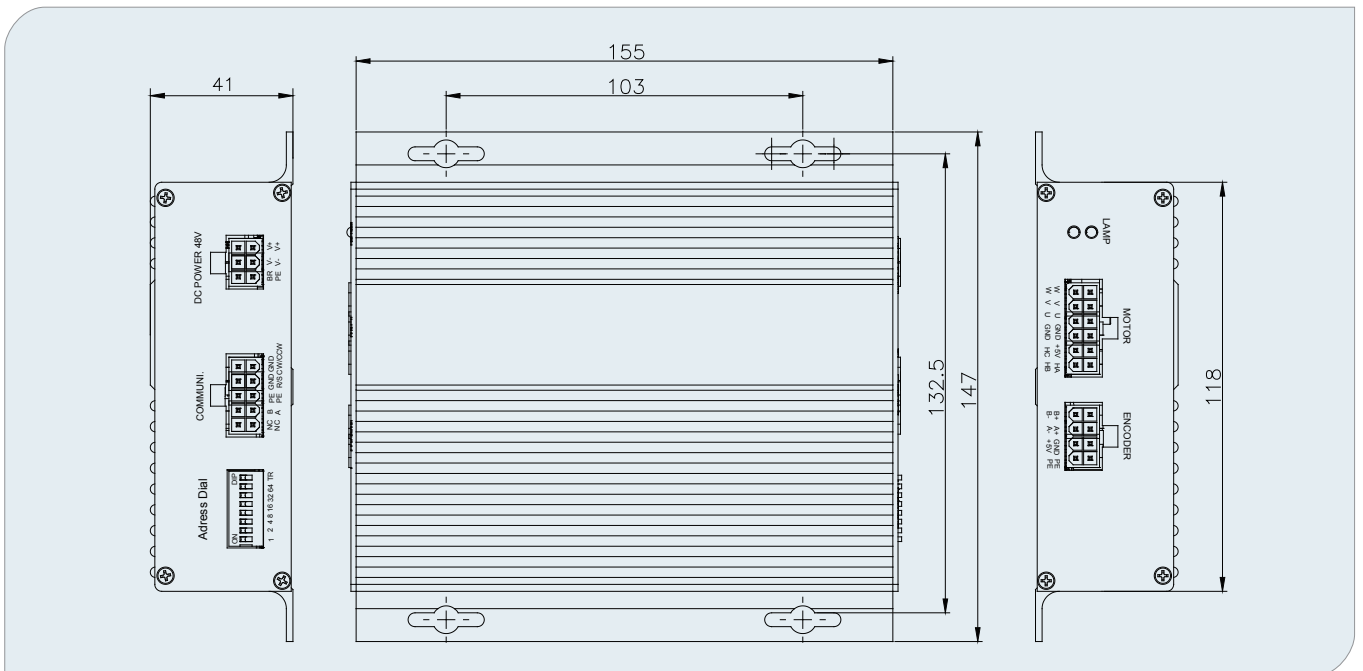
Item	Units	Description	Notes
Power Supply	VDC	48V±5%	
Rated Current	A	10	
Peak Current	A	25	
Rated Power	W	400	
Speed Range	RPM	300-800	
Speed Control		Communication	
Speed Feedback		Hall Sensor+ Encoder (Diff. AqB)	2500PPR
Communication		RS485	
I/O Port		Run/Stop, CW/CCW, Sensor	
Input Signal		NPN, 5mA	
Work Duty		S2-25%	Based on ambient temperature
Operation Ambient Temperature	°C	0-40	
Operation Ambient Humidity		85% Max.	No water drops or rain
Vibration		Frequencies≤20Hz: 9.8m/s <sup>2</sup> ; 20Hz≤Frequencies≤50Hz: 2m/s <sup>2</sup>	

# 50/67 Frame Servo Sorter Roller Driver

## ● Characteristic Diagram



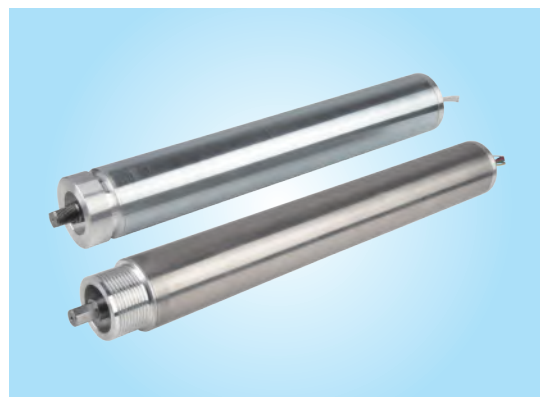
## ● Mechanical



# 50 Frame Transmission Roller

## ● General Information

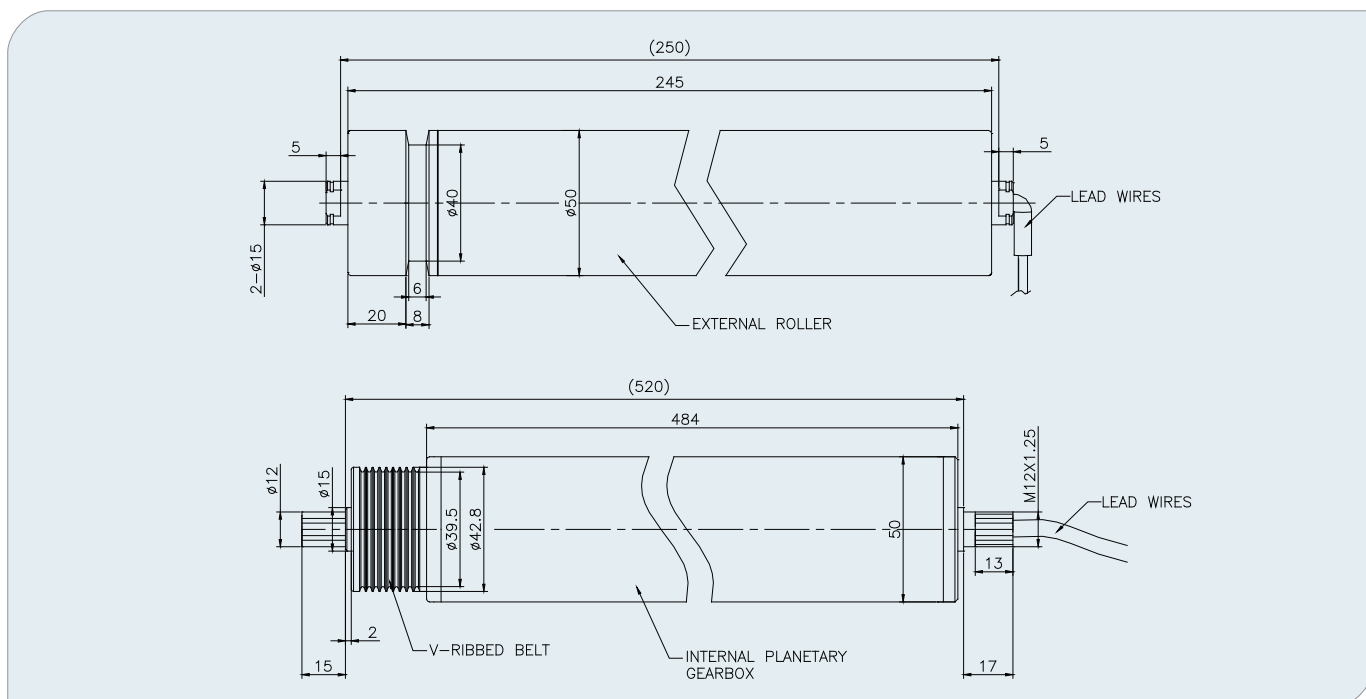
- External rotor for direct drive
- Quick response
- High efficiency
- Internal planetary gearbox BLDC motor
- Low speed
- Heavy load
- Roller length to be customized



## ● Specification

Model	Voltage (v)	Rated Load		Roller Torque (Nm)	Roller linear Speed (m/Min)	Ratio	Work Duty
		Speed (rpm)	Current (A)				
RE050AS10X	48	300-800	3	0.6	48-126	/	S1
ME050AS100-PL0036	24	172	3.92	2.9	27	36	S1
ME050AS100-PL0049	24	127	3.92	4.0	20	49	S1
ME050AS100-PL0064	24	97	3.92	5.2	15	64	S1
ME050AS100-PL0096	24	65	3.92	7.8	10	96	S1

## ● Mechanical



# 50 Frame Transmission Roller Driver



## ● General Information

- ▶ Used for BLDC motor
- ▶ Input voltage: DC20-60V
- ▶ Rated output power: 200W
- ▶ Speed adjustable
- ▶ S1 work duty

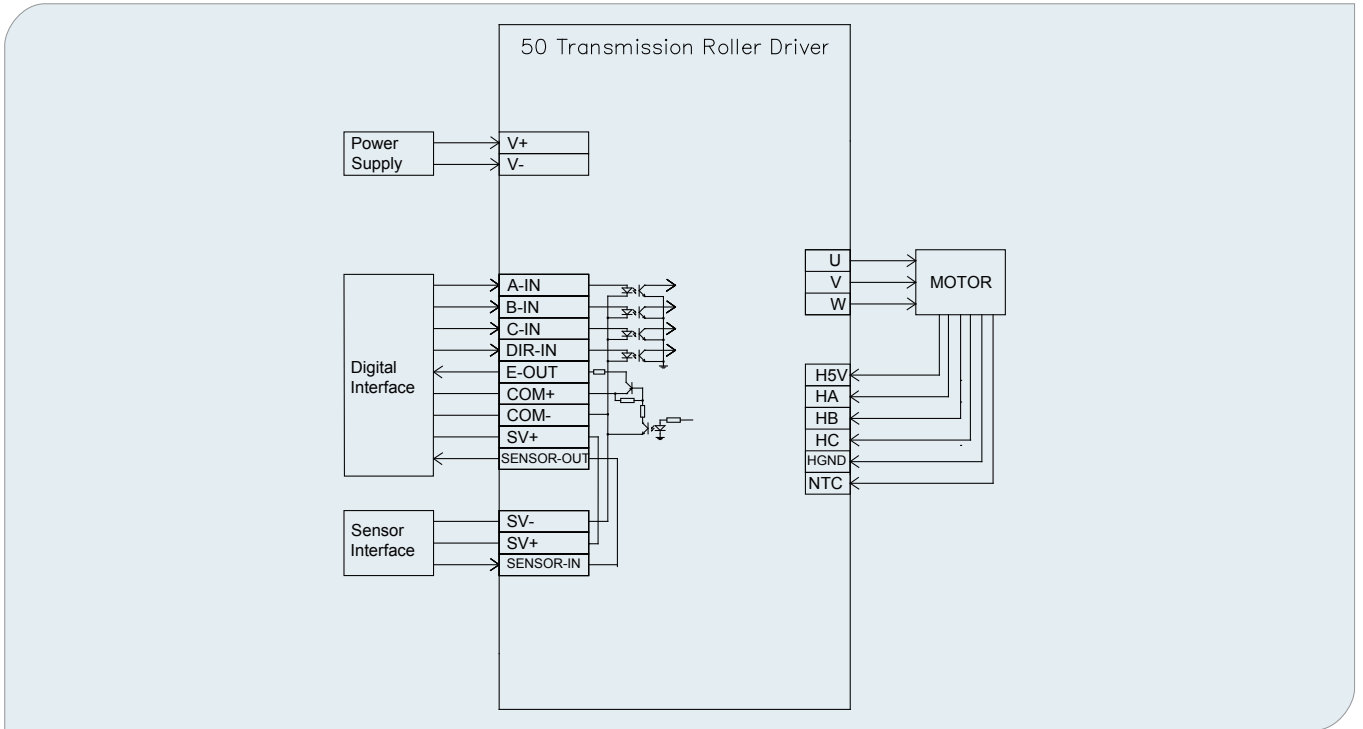
## ● Electrical Specification

Item	Units	Description	Notes
Power Supply	VDC	20-60V	
Rated Current	A	4	
Peak Current	A	10	
Rated Power	W	200	
Speed Range	RPM	400-6200 for motor	Gearbox ratio: 36, 49, 64, 96
Speed Setting		Digital potentiometer / ABC Point input	
Communication		NC	
I/O Port		Speed, Run/Stop, CW/CCW, Error	
Input Signal		PNP, 24V, 5mA	
Work Duty		S1	Based on ambient temperature
Operation Ambient Temperature	°C	0-40	
Operation Ambient Humidity		85% Max.	No water drops or rain
Vibration		Frequencies≤20Hz: 9.8m/s <sup>2</sup> ; 20Hz≤Frequencies≤50Hz: 2m/s <sup>2</sup>	

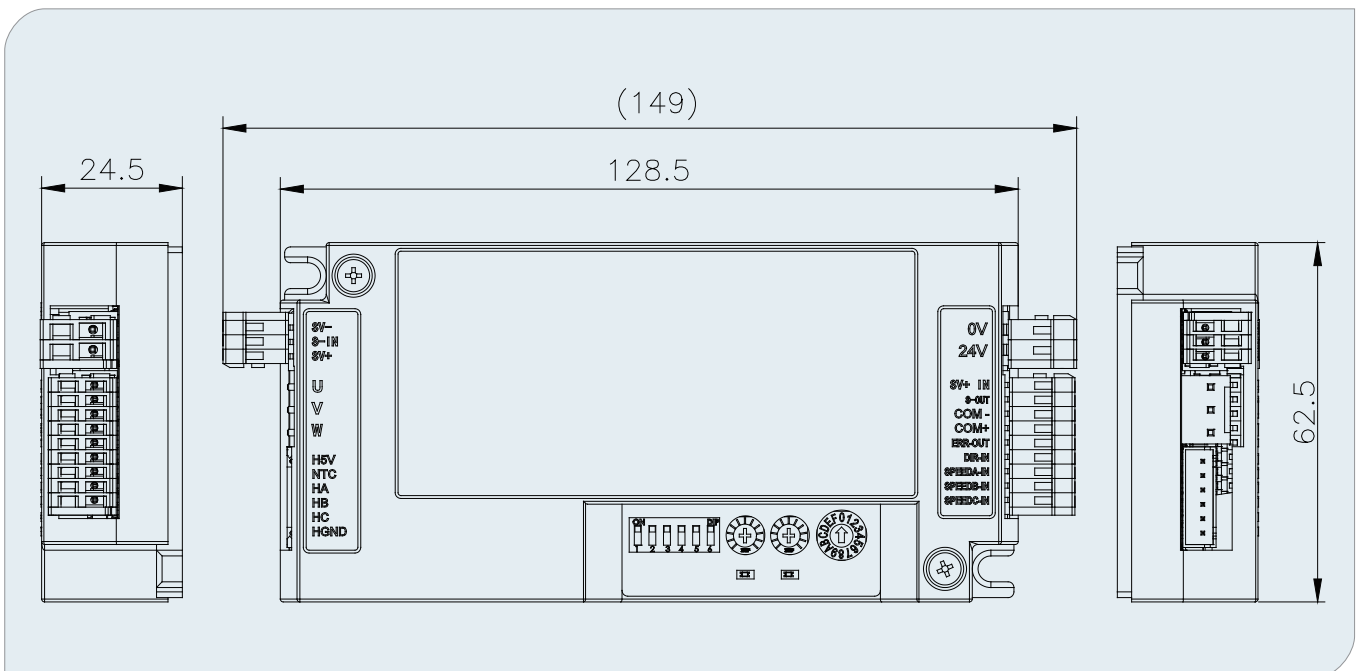


# 50 Frame Transmission Roller Driver

## ● Characteristic Diagram



## ● Mechanical



# 56/70 Frame Smart Roller

## ● General Information

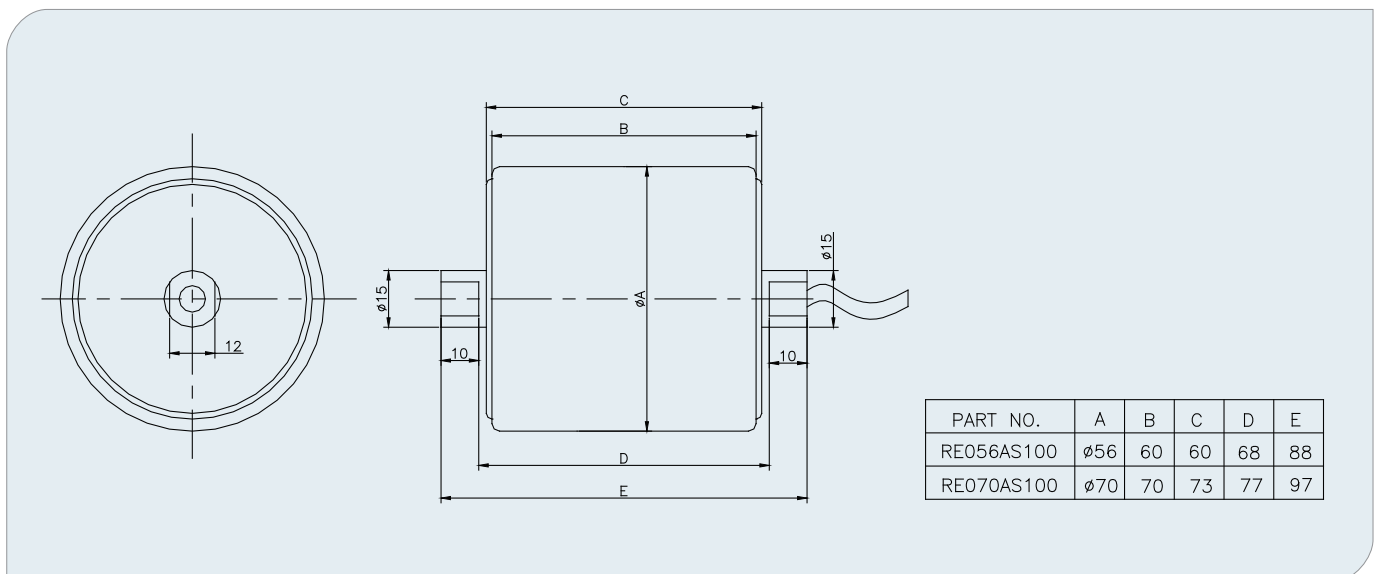
- ▶ External rotor and Sensorless
- ▶ Low noise
- ▶ High efficiency
- ▶ Multiple color rubber available
- ▶ Coating Thickness 2mm or customized



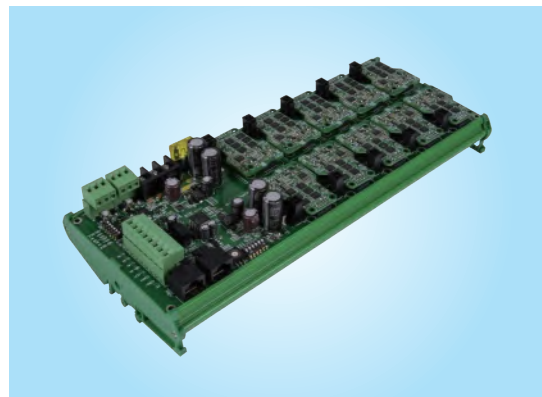
## ● Specification

Model	Voltage (v)	Peak Power (W)	Max. Torque (Nm)	Speed Range (rpm)	Linear Speed (m/s)	Peak Current (A)	Duty Type
RE056AS100	48	50	1.5	350-1000	1-3	5	S2
RE070AS100	48	100	2	350-1000	1.3-3.6	10	S2

## ● Mechanical



# 56/70 Frame Smart Roller Integrated Driver



## ● General Information

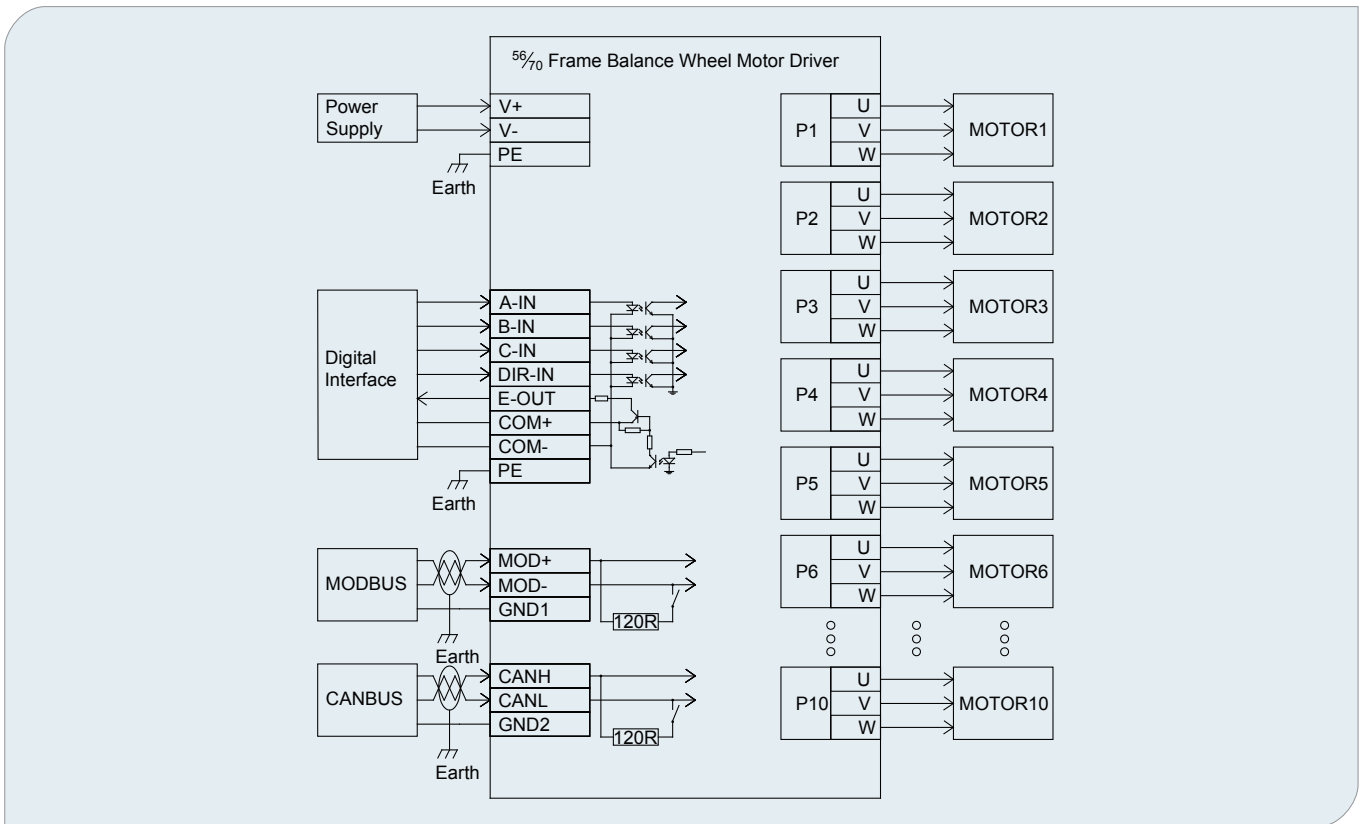
- ▶ Used for BLDC roller motor
- ▶ Rated Voltage: DC 18-50V
- ▶ ModBus/CANOpen communication
- ▶ One for 10 motors
- ▶ S2 work duty

## ● Electrical Specification

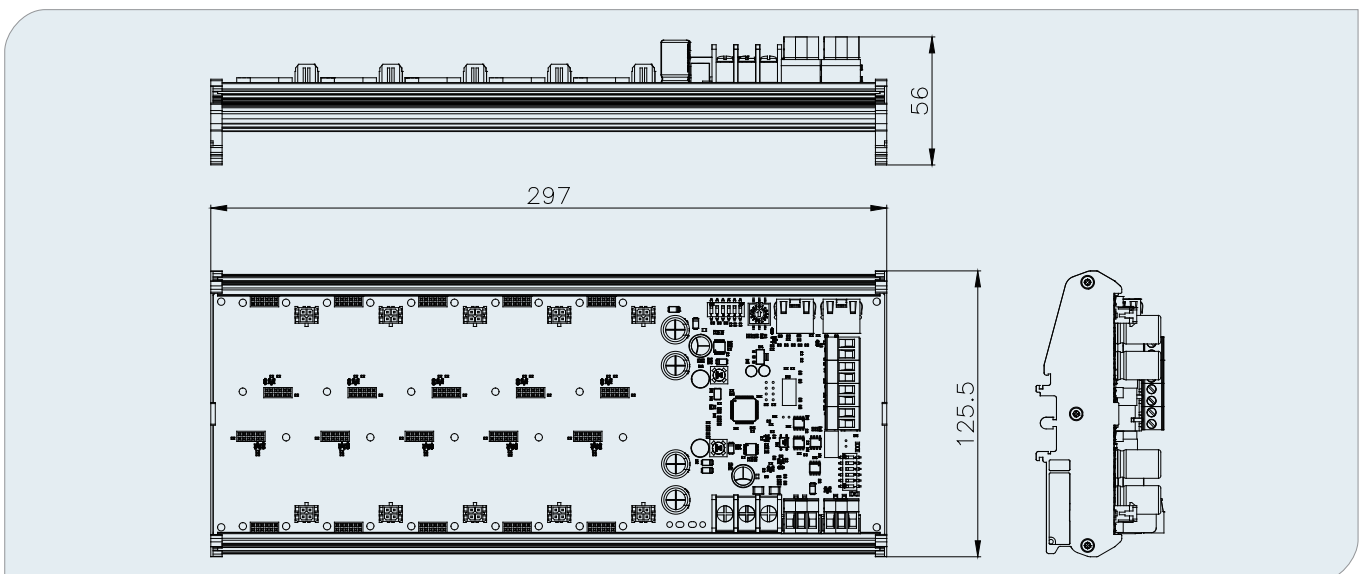
Item	Units	Description	Notes
Power Supply	VDC	18-50	
Rated Current	A	15	
Peak Current	A	40	
Rated Power	W	750	
Speed Range	RPM	350-1000	
Speed Control		Communication or 7 step regulation	
Communication		ModBus / CANOpen	
I/O Port		Direction, Error	
Input Signal		PNP/NPN, 24V, 5mA	
Work Duty		S2	Based on ambient temperature
Operation Ambient Temperature	°C	0-40	
Operation Ambient Humidity		85% Max.	No water drops or rain
Vibration		Frequencies≤20Hz: 9.8m/s <sup>2</sup> ; 20Hz≤Frequencies≤50Hz: 2m/s <sup>2</sup>	

# 56/70 Frame Smart Roller Integrated Driver

## ● Characteristic Diagram



## ● Mechanical



# 44 Frame BLDC Roller Motor

## ● General Information

- 4 poles with 3 phases
- Used for roller system
- Operation safely, reliable, and long life
- Low noise
- Running smoothly
- Brake available



## ● Specification

Model	Voltage (v)	Resistant	Inductance	Power	Ke	Rated Torque	Max. Speed	No. of Poles	Length(L1)
		(Ohms)	(mH)	(W)	(V/KRPM)	(Nm)	(RPM)		(mm)
ME044AS100	24	1.4	1.5	30	6.86	0.106	3500	4	111
ME044AS200	24	0.5	0.5	50	5.45	0.119	4400	4	132

Gearbox Specification			
Number of Stages	Ratio	Length(L2) (mm)	Efficiency (%)
1	5,7,9	43.3	92
2	11.56,15,25,49	61.3	85

## ● Mechanical

