

SEP040 BLDC SERVO MOTOR

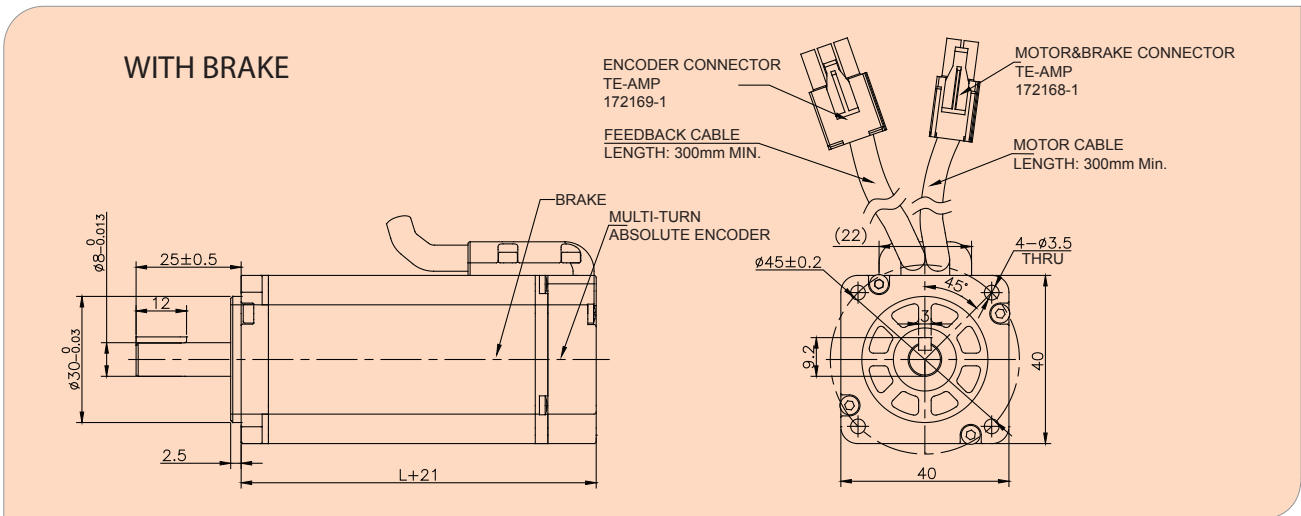
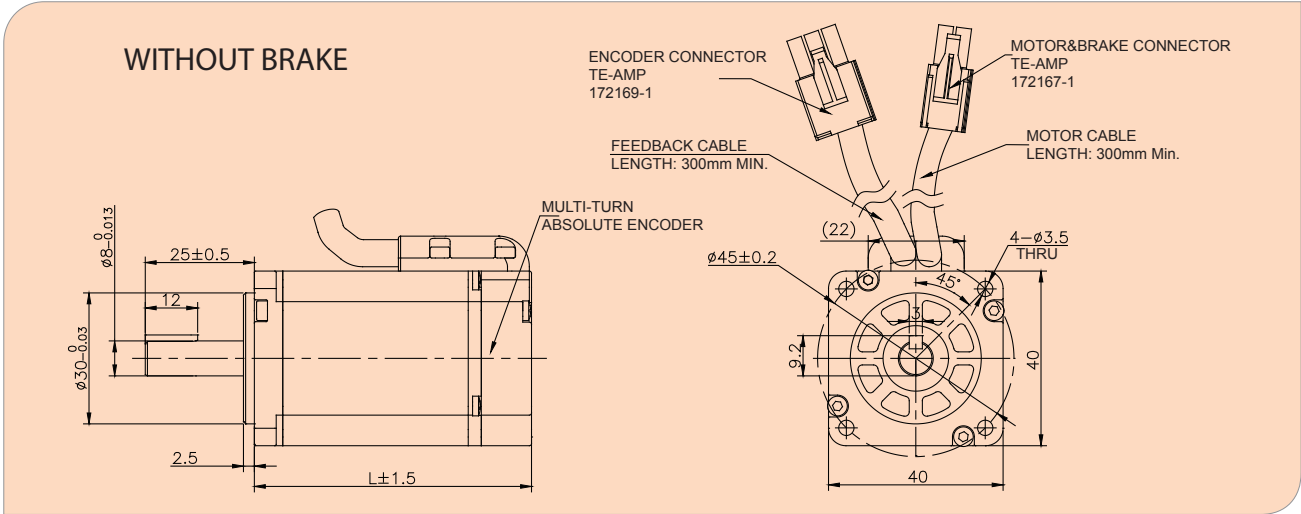


● Specification

	Unit	SEP040A(B)Q050-001	SEP040A(B)Q100-001
Voltage	VDC	48	48
Rated Power Pw	W	50	100
Rated Speed Nn	RPM	3000	3000
Rated Torque Tn	Nm	0.16	0.32
Rated Current In	A	1.5	2.8
Peak Torque Tm	Nm	0.48	0.96
Peak Current Im	A	4.5	8.40
Resistance L-L RI	ohms	3.11	1.48
Inductance L-L HI	mH	4.01	1.85
Voltage Constant Ke	Vrms/Krpm	7.19	7.33
Torque Constant Kt	Nm/Arms	0.113	0.115
Rotor Inertia Jm	Kg.mm ²	1.77	3.39
Poles		10	10
IP Class		54	54
Feedback Device (Multi-turn Absolute Encoder)	Bit	17	17
Brake Torque	Nm	0.32	0.32
Length	mm	49.5	63.5
		70.5 (with brake)	84.5 (with brake)
Weight Wm	Kg	0.4	0.6
		0.6 (with brake)	0.8 (with brake)

SEP040 BLDC SERVO MOTOR

● *Mechanical*



● *Characteristic diagram*

