

MB059AH

DC Brushless Motor



● General information

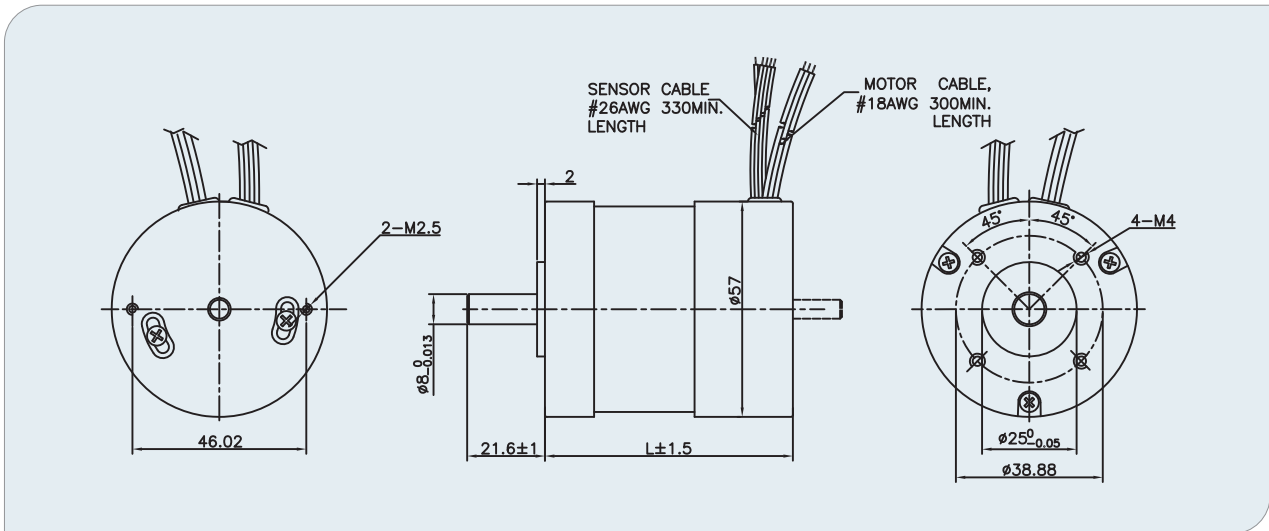
- 6 poles with three phases
- 9 slots design for automatic winding
- Insulation class B, higher insulation class on request
- Sintered Neo Magnet
- High efficiency and one of most powerful with this frame

● Specifications

SPECIFICATION	Unit	MB059AH100	MB059AH200	MB059AH300	MB059AH400
Supply Voltage (reference)	(Vs) Vdc	24	24	24	24
Rated Continuous Torque	(Tcr) Nm	0.23	0.37	0.47	0.60
Rated Speed at Cont. Torque	(Scr) rpm	3500	3500	3500	3500
Rated Continuous Stall Current	(Ics) A	5.0	8.0	9.4	13.6
Rated Continuous Output Power	(Po,c) W	83	135	171	220
Rated Peak Torque	(Tpr) Nm	0.69	1.11	1.41	1.80
Rated Peak Current	(Ipr) A	15	24	28	40
Torque Constant	(KT) Nm/A	0.0478	0.0478	0.0513	0.0500
Voltage Constant	(KE) V/krpm	5.00	5.00	5.37	5.23
Terminal Resistance	(Rmt) Ω	0.57	0.24	0.22	0.14
Inductance	(L) mH	0.63	0.29	0.29	0.20
Insulation Class		B	B	B	B
Rotor Inertia	(Jr) Kg.m ²	7.32E-06	1.05E-05	1.19E-05	1.73E-05
Motor Weight	(Wm) Kg	0.52	0.65	0.72	0.95
Motor Length	(Lm) mm	53.6	68.6	73.6	93.6

MB059AH

● *Mechanical*



● *Characteristic diagram*

