

# ME043AS

## DC Brushless Motor



### ● General information

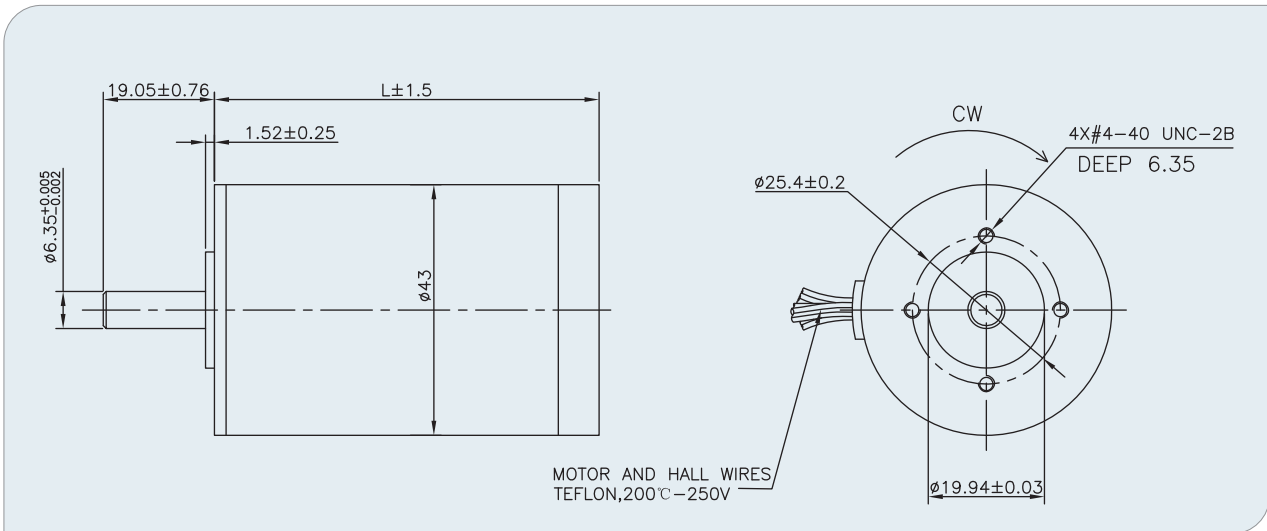
- 4 poles with three phases
- 120/60 degree hall effect
- Seal ball bearing
- Neodymium magnet
- Aluminum housing
- Insulation class B, higher insulation class on request
- IP 55 available

### ● Specifications

| SPECIFICATION                  | Unit                   | ME043AS200 | ME043AS300 |
|--------------------------------|------------------------|------------|------------|
| Supply Voltage (reference)     | (Vs) Vdc               | 24         | 24         |
| Rated Continuous Torque        | (Tcr) Nm               | 0.038      | 0.078      |
| Rated Speed at Cont. Torque    | (Scr) rpm              | 2400       | 3000       |
| Rated Continuous Stall Current | (Ics) A                | 0.94       | 1.65       |
| Rated Continuous Output Power  | (Po,c) W               | 9          | 25         |
| Rated Peak Torque              | (Tpr) Nm               | 0.08       | 0.26       |
| Rated Peak Current             | (Ipr) A                | 1.93       | 7.21       |
| Torque Constant                | (KT) Nm/A              | 0.0523     | 0.0532     |
| Voltage Constant               | (KE) V/krpm            | 5.47       | 5.57       |
| Terminal Resistance            | (Rmt) Ω                | 9.74       | 3.34       |
| Inductance                     | (L) mH                 | 2.66       | 1.13       |
| Insulation Class               |                        | B          | B          |
| Rotor Inertia                  | (Jr) Kg.m <sup>2</sup> | 5.60E-08   | 1.13E-07   |
| Motor Weight                   | (Wm) Kg                | 0.23       | 0.35       |
| Motor Length                   | (Lm) mm                | 47.4       | 66.4       |

# ME043AS

## Mechanical



## Characteristic diagram

