



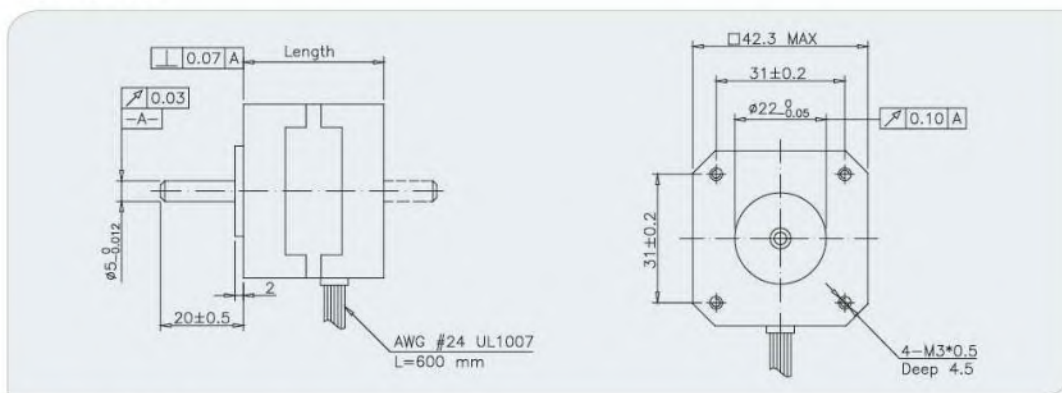
MP042NB

Stepper Motor

- 42mm, 1.8Degree Enhanced Hybrid Stepper Motor



Mechanical



Specifications

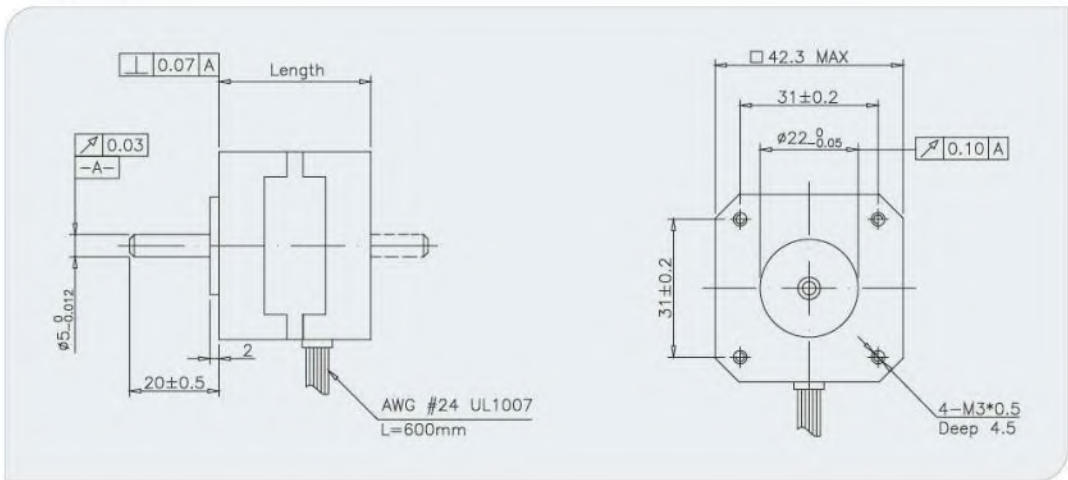
Part No.	Phase Current (A)	Phase Resistance (OHMS)	Phase Inductance (mH)	Holding Torque (Ncm)	Detent Torque (Ncm)	No.of Wires	Rotor Inertia (g.cm ²)	Length (mm)	Weight (g)
MP042NB001	0.4	24	3.6	17	2	4	20	24	150
MP042NB002	0.6	6.6	8.5	12	1.42	4	20	24	150
MP042NB111	0.6	12	15	25.5	1.96	4	34	34	200
MP042NB123	0.4	30	40	24.5	1.96	4	34	34	200
MP042NB136	0.28	44	38	16.7	1.96	6	34	34	200
MP042NB140	1	3.6	3.0	19.6	1.96	6	34	34	200
MP042NB302	1.2	3	3	26.5	2.16	6	54	40	240
MP042NB316	3.5	0.65	1.2	50	2.74	4	54	40	240
MP042NB335	1.7	1.5	3.2	44	2.2	4	54	40	240
MP042NB355	0.9	5	11.5	39.3	2.94	4	54	40	350
MP042NB519	1	4.6	4	33.3	2.74	6	68	48	340
MP042NB522	0.5	22	33	50	2.74	4	68	48	340
MP042NB523	1.5	3.15	6.15	49	2.74	4	68	48	340
MP042NB530	3	0.63	1.03	50	2.2	4	68	48	340
MP042NB531	2.5	1.25	1.8	48	2.8	4	68	48	340
MP042NB603	0.86	4.94	11.45	70	3.5	4	82	60	480
MP042NB606	1.2	12	35	75	6	4	82	60	480
MP042NB607	1.2	6	15.6	80	3.5	4	82	60	480

MP042SB Stepper Motor

- 42mm, 0.9Degree Enhanced Hybrid Stepper Motor



- *Mechanical*



- *Specifications*

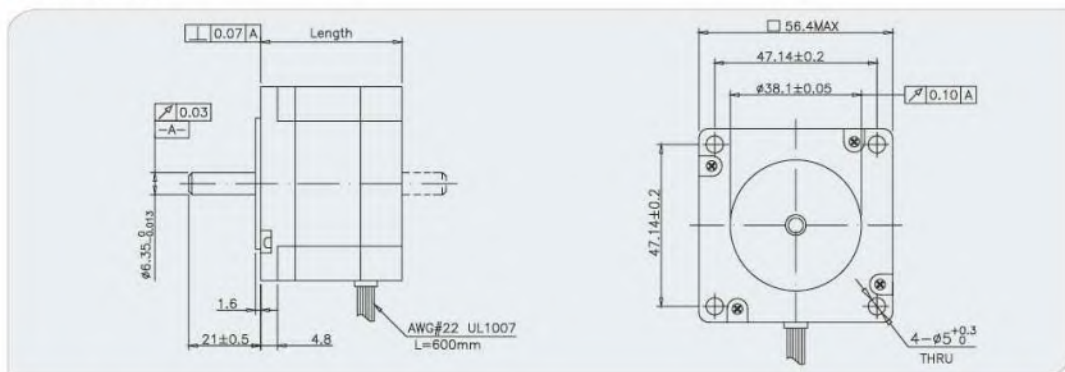
Part No.	Phase Current (A)	Phase Resistance (OHMS)	Phase Inductance (mH)	Holding Torque (Ncm)	Detent Torque (Ncm)	No. of Wires	Rotor Inertia (g.cm ²)	Length (mm)	Weight (g)
MP042SB001	1	8.7	16.5	14.5	1.5	4	20	22	150
MP042SB004	1	9.2	21	16.5	1.5	4	20	22	150
MP042SB104	1.2	2.1	4.9	20.6	1.96	4	34	34	220
MP042SB105	0.5	20	35	18.6	2.16	4	34	34	220
MP042SB110	0.67	8.4	16	21.2	1.5	6	34	34	220
MP042SB301	1.2	3.0	4.0	29.4	2.45	6	54	40	280
MP042SB302	0.8	7.5	8.6	25.5	2.45	6	54	40	280
MP042SB303	0.4	30	36	25.5	2.45	6	54	40	280
MP042SB304	1.68	1.5	4.0	35.3	2.45	4	54	40	280
MP042SB501	1.2	3.3	4.5	31.4	2.74	6	68	48	350
MP042SB502	0.8	7.5	6.3	31.4	2.74	6	68	48	350
MP042SB503	0.4	30	31	31.4	2.74	6	68	48	350
MP042SB504	1.68	1.54	3.5	41.2	2.74	4	68	48	350
MP042SB509	1	5	8	49	2.74	4	68	48	350



MP057NB Stepper Motor

- 57mm, 1.8Degree Enhanced Hybrid Stepper Motor

● Mechanical



● Specifications

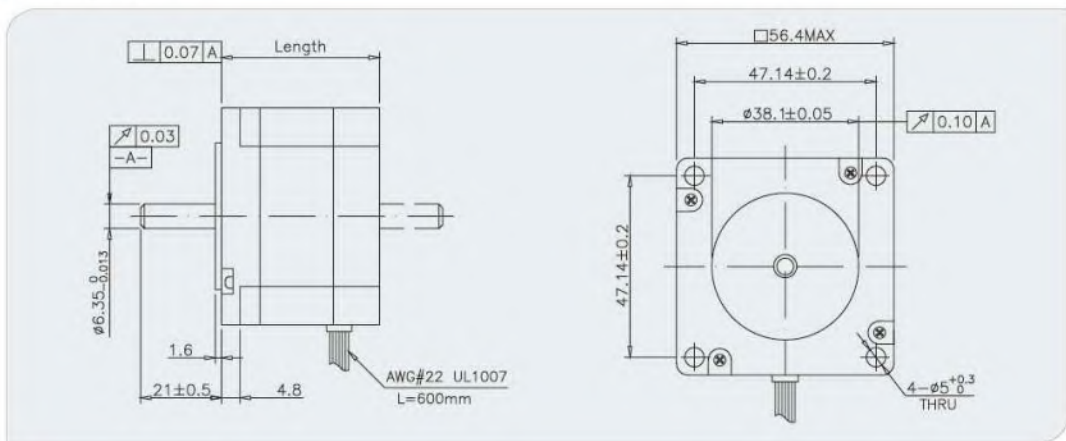
Part No.	Phase Current (A)	Phase Resistance (OHMS)	Phase Inductance (mH)	Holding Torque (Ncm)	Detent Torque (Ncm)	No.of Wires	Rotor Inertia (g.cm ²)	Length (mm)	Weight (g)
MP057NB010	1.3	3	5	41	2.6	4	135	41	420
MP057NB020	1.3	2.7	5.6	50	4	4	135	41	420
MP057NB024	2	1.2	3.2	55	4	4	135	41	420
MP057NB201	1	6.6	9	70.6	5.88	6	275	50	550
MP057NB204	1	5.5	16.5	83.3	5.88	4	275	50	550
MP057NB208	2	1.8	5.2	80	4	4	275	50	550
MP057NB222	2.8	0.83	2.2	100	3.6	4	275	50	650
MP057NB303	2	1.8	2.5	88.2	8.33	6	300	56	600
MP057NB316	4.2	0.35	0.66	110	6.3	6	300	56	700
MP057NB331	1.4	3.6	10.8	117	3.92	4	300	56	700
MP057NB417	2.1	2	6.5	161	6.8	4	480	78	1000
MP057NB420	1.4	4.5	14.4	175	6.8	4	480	78	1000
MP057NB423	2.5	1.5	4.4	150	7	4	480	78	1000
MP057NB431	5	0.25	0.95	140	7.85	4	480	78	1100
MP057NB490	4.2	0.5	2.2	170	6.8	4	480	78	1100
MP057NB504	2	3.8	10	248	12	4	800	115	1500
MP057NB505	2.7	2	5.5	220	12	4	800	115	1500
MP057NB513	2	7	32	300	12	4	800	115	1500
MP057NB522	6	0.5	2	280	12	4	800	115	1600

MP057SB Stepper Motor

- 57mm, 0.9Degree Enhanced Hybrid Stepper Motor



- **Mechanical**



- **Specifications**

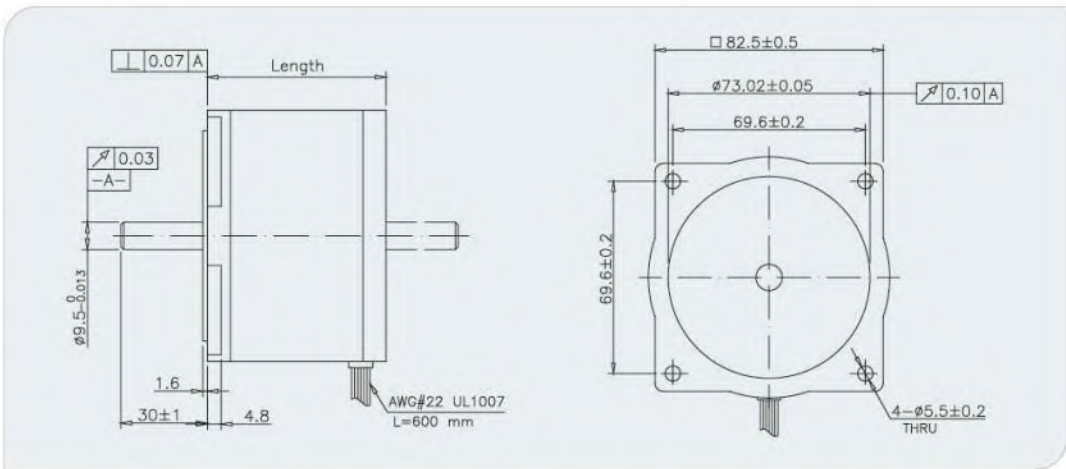
Specifications	Phase Current (A)	Phase Resistance (OHMS)	Phase Inductance (mH)	Holding Torque (Ncm)	Detent Torque (Ncm)	No.of Wires	Rotor Inertia (g.cm ²)	Length (mm)	Weight (g)
MP057SB101	1	5.7	7	19.6	3.92	6	135	41	420
MP057SB102	2	1.4	2	19.6	3.92	6	135	41	420
MP057SB103	3	0.73	0.86	24.5	3.92	6	135	41	420
MP057SB104	2.8	0.8	1.9	29.4	3.92	4	135	41	420
MP057SB201	1	7.4	17	78.4	5.8	6	300	56	600
MP057SB202	2	1.8	5.2	88.2	5.8	6	300	56	600
MP057SB203	3	0.75	1.1	88.2	5.8	6	300	56	600
MP057SB204	2.8	0.9	3.3	98	5.8	4	300	56	600
MP057SB206	2.2	1.5	7.6	120	6.3	4	300	56	600
MP057SB301	1	8.6	14	127.4	10	6	480	78	1000
MP057SB302	2	2.3	6.7	137.2	10	6	480	78	1000
MP057SB303	2.8	1.13	6.1	147	10	4	480	78	1000
MP057SB501	2	6	32	250	12	4	800	115	1300

MP086NA Stepper Motor

- 86mm, 1.8Degree Enhanced Hybrid Stepper Motor



- *Mechanical*



- *Specifications*

Part No.	Phase Current (A)	Phase Resistance (OHMS)	Phase Inductance (mH)	Holding Torque (Ncm)	Detent Torque (Ncm)	No.of Wires	Rotor Inertia (Kg.cm ²)	Length (mm)	Weight (Kg)
MP086NA101	1.7	1.7	7.3	137.2	7.84	8	0.64	62	1.6
MP086NA102	1.25	4	16	137.2	7.84	8	0.64	62	1.6
MP086NA103	3.6	0.45	1.7	137.2	7.84	8	0.64	62	1.6
MP086NA104	4.5	0.31	1.1	137.2	7.84	8	0.64	62	1.6
MP086NA201	4	0.75	3.8	274.4	14.7	8	1.3	94	2.6
MP086NA202	4.6	0.55	2.5	274.4	14.7	8	1.3	94	2.6
MP086NA203	2.5	1.7	7.8	274.4	14.7	8	1.3	94	2.6
MP086NA204	2	2.7	11	274.4	14.7	8	1.3	94	2.6
MP086NA301	7	0.29	2	392	24.5	8	1.9	127	3.6
MP086NA302	4	1	5	392	24.5	8	1.9	127	3.6

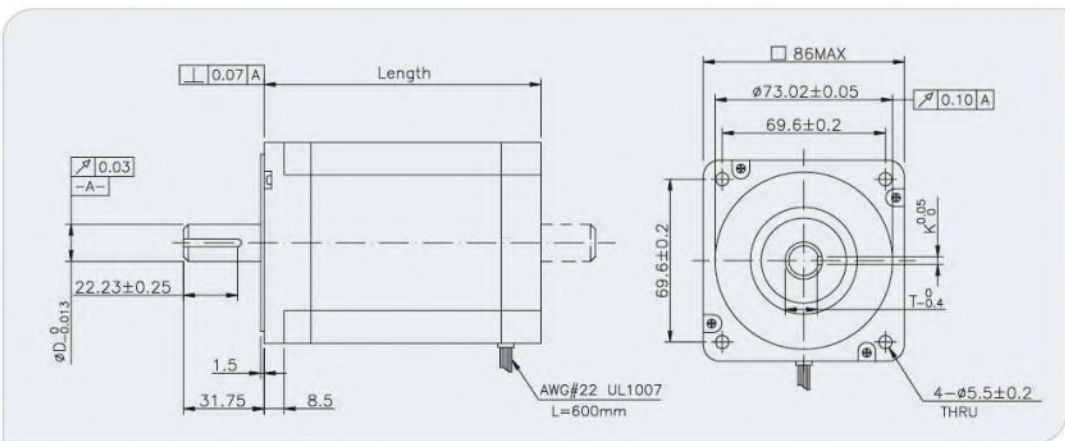


MP086YG

Stepper Motor

- 86mm, 1.8Degree Enhanced Hybrid Stepper Motor

● Mechanical



● Specifications

Part No.	Connection	Phase Current (A)	Phase Resistance (OHMS)	Phase Inductance (mH)	Holding Torque (Nm)	Detent Torque (Nm)	No. of Wires	Rotor Inertia (kg.cm ²)	Length (mm)	Weight (Kg)	D (mm)	K (mm)	T (mm)
MP086YG100	Parallel	6.1	0.25	2.1	2.8	0.2	8	0.66	67	1.6	12.7	3.175	10.92
	Series	3	1	8.4	2.8	0.2	8	0.66	67	1.6	12.7	3.175	10.92
	Unipolar	4.3	0.5	2.1	2.3	0.2	8	0.66	67	1.6	12.7	3.175	10.92
MP086YG200	Parallel	8.6	0.18	1.4	4.59	0.23	8	1.4	79.5	2.27	12.7	3.175	10.92
	Unipolar	6.1	0.36	1.4	3.25	0.23	8	1.4	79.5	2.27	12.7	3.175	10.92
MP086YG300	Parallel	10	0.18	1.8	8.58	0.25	8	2.7	118	3.81	12.7	3.175	10.92
	Series	5	0.7	7	8.58	0.25	8	2.7	118	3.81	12.7	3.175	10.92
	Unipolar	7.1	0.35	1.8	6.07	0.25	8	2.7	118	3.81	12.7	3.175	10.92
MP086YG400	Parallel	9.9	0.22	2.3	12.1	0.38	8	4	156.5	5.39	15.87	4.763	13.13
	Series	5	0.87	9	12.1	0.38	8	4	156.5	5.39	15.87	4.763	13.13
	Unipolar	7	0.44	2.3	8.58	0.38	8	4	156.5	5.39	15.87	4.763	13.13