

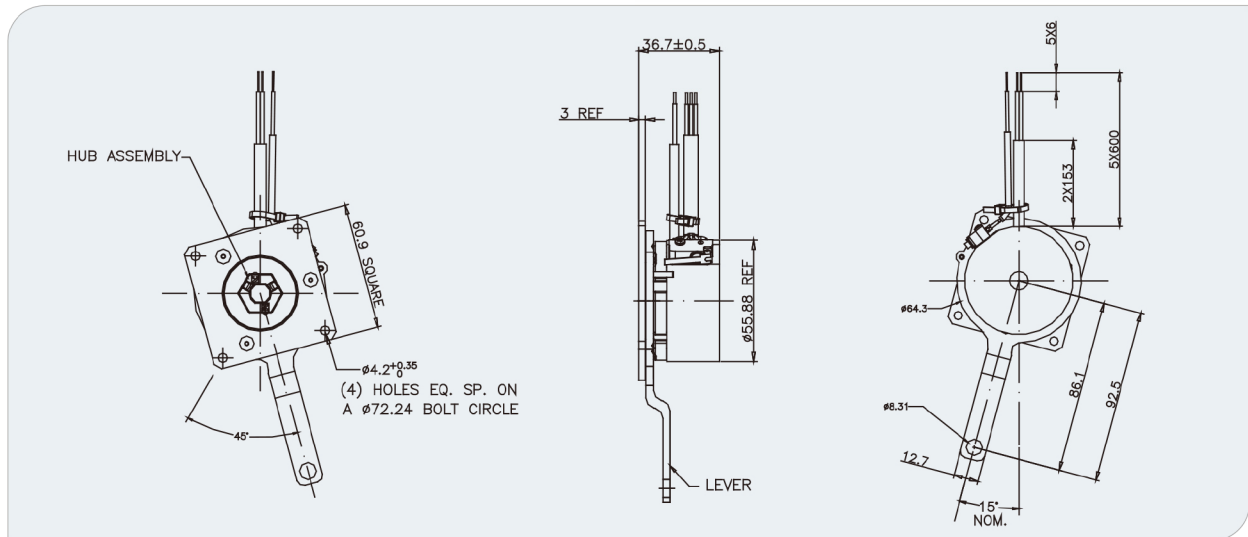
MSRA061 Brake

● General information

- ▶ Insulation Class B
- ▶ Long life
- ▶ Zinc plating housing
- ▶ Special application on request



● Mechanical



● Specifications

Voltage	Resistance	Current	Static Torque	Inertia	Weight
(VDC)	(OHMS)	(A)	(Nm)	(g.cm ²)	(g)
12	16.7	0.72	2.26	0.053	450
24	65	0.37	2.26	0.053	450
48	250	0.19	3.95	0.053	700

● Implication For Name

