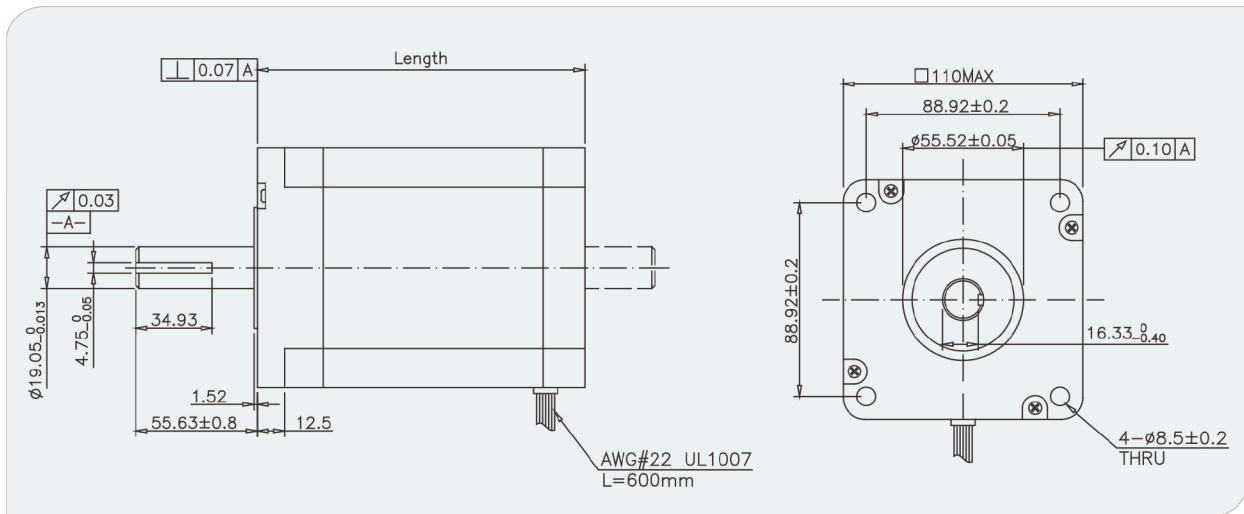


MP110YG Stepper Motor



- 110mm, 1.8Degree Enhanced Hybrid Stepper Motor

● Mechanical



● Specifications

Part No.	Connection	Phase Current (A)	Phase Resistance (OHMS)	Phase Inductance (mH)	Holding Torque (Nm)	Detent Torque (Nm)	No. of Wires	Rotor Inertia (Kg.cm ²)	Length (mm)	Weight (Kg)
MP110YG100	Parallel	10.7	0.16	2.8	11.68	0.3	8	5.5	99	4.96
	Series	5.3	0.63	11.1	11.68	0.3	8	5.5	99	4.96
	Unipolar	7.5	0.31	2.8	8.26	0.3	8	5.5	99	4.96
MP110YG200	Parallel	15.8	0.1	2.1	22.09	0.59	8	10.9	150	8.34
	Series	7.9	0.41	8.4	22.09	0.59	8	10.9	150	8.34
	Unipolar	11.2	0.21	2.1	15.63	0.59	8	10.9	150	8.34
MP110YG300	Parallel	15.4	0.14	3.2	30.81	0.75	8	16.2	201	11.64
	Series	7.7	0.55	13	30.81	0.75	8	16.2	201	11.64
	Unipolar	10.9	0.28	3.2	21.81	0.75	8	16.2	201	11.64