

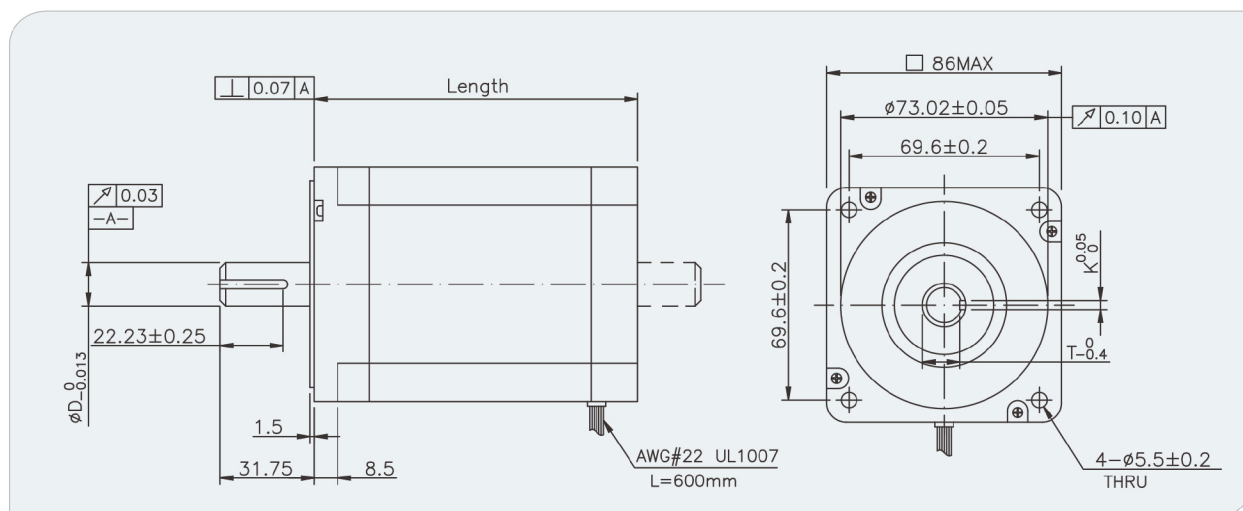


MP086YG

Stepper Motor

- 86mm, 1.8Degree Enhanced Hybrid Stepper Motor

Mechanical



Specifications

Part No.	Connection	Phase Current (A)	Phase Resistance (OHMS)	Phase Inductance (mH)	Holding Torque (Nm)	Detent Torque (Nm)	No. of Wires	Rotor Inertia (kg.cm ²)	Length (mm)	Weight (Kg)	D (mm)	K (mm)	T (mm)
MP086YG100	Parallel	6.1	0.25	2.1	2.8	0.2	8	0.66	67	1.6	12.7	3.175	10.92
	Series	3	1	8.4	2.8	0.2	8	0.66	67	1.6	12.7	3.175	10.92
	Unipolar	4.3	0.5	2.1	2.3	0.2	8	0.66	67	1.6	12.7	3.175	10.92
MP086YG200	Parallel	8.6	0.18	1.4	4.59	0.23	8	1.4	79.5	2.27	12.7	3.175	10.92
	Series	4.3	0.72	5.8	4.59	0.23	8	1.4	79.5	2.27	12.7	3.175	10.92
	Unipolar	6.1	0.36	1.4	3.25	0.23	8	1.4	79.5	2.27	12.7	3.175	10.92
MP086YG300	Parallel	10	0.18	1.8	8.58	0.25	8	2.7	118	3.81	12.7	3.175	10.92
	Series	5	0.7	7	8.58	0.25	8	2.7	118	3.81	12.7	3.175	10.92
	Unipolar	7.1	0.35	1.8	6.07	0.25	8	2.7	118	3.81	12.7	3.175	10.92
MP086YG400	Parallel	9.9	0.22	2.3	12.1	0.38	8	4	156.5	5.39	15.87	4.763	13.13
	Series	5	0.87	9	12.1	0.38	8	4	156.5	5.39	15.87	4.763	13.13
	Unipolar	7	0.44	2.3	8.58	0.38	8	4	156.5	5.39	15.87	4.763	13.13