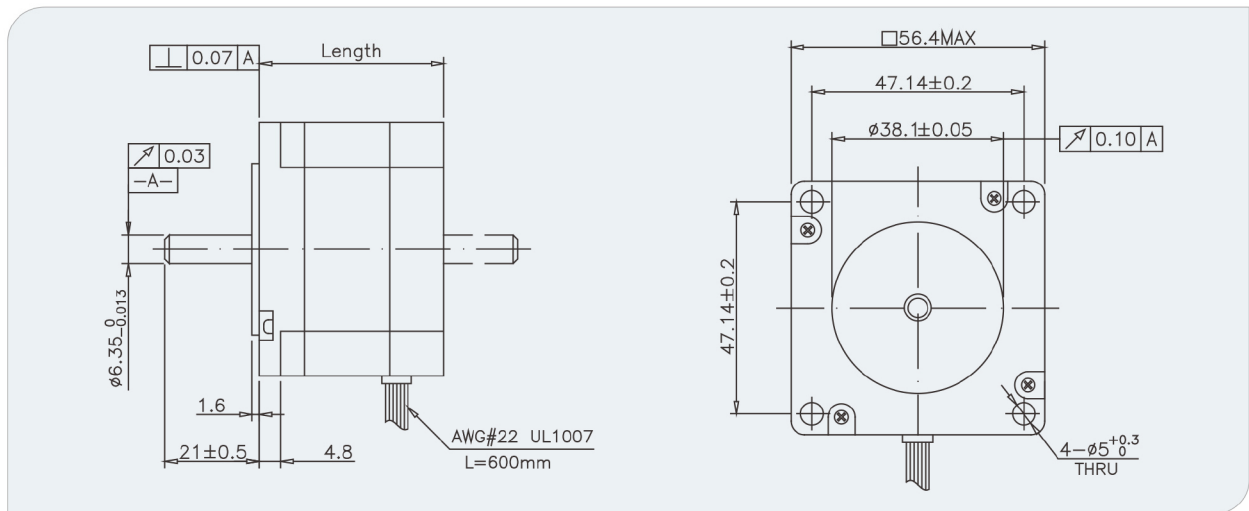


# MP057SB Stepper Motor

- 57mm, 0.9Degree Enhanced Hybrid Stepper Motor



- **Mechanical**



- **Specifications**

Specifications	Phase Current (A)	Phase Resistance (OHMS)	Phase Inductance (mH)	Holding Torque (Ncm)	Detent Torque (Ncm)	No. of Wires	Rotor Inertia (g.cm <sup>2</sup> )	Length (mm)	Weight (g)
MP057SB101	1	5.7	7	19.6	3.92	6	135	41	420
MP057SB102	2	1.4	2	19.6	3.92	6	135	41	420
MP057SB103	3	0.73	0.86	24.5	3.92	6	135	41	420
MP057SB104	2.8	0.8	1.9	29.4	3.92	4	135	41	420
MP057SB201	1	7.4	17	78.4	5.8	6	260	56	600
MP057SB202	2	1.8	5.2	88.2	5.8	6	260	56	600
MP057SB203	3	0.75	1.1	88.2	5.8	6	260	56	600
MP057SB204	2.8	0.9	3.3	98	5.8	4	260	56	600
MP057SB206	2.2	1.5	7.6	120	6.3	4	220	56	600
MP057SB301	1	8.6	14	127.4	10	6	460	78	1000
MP057SB302	2	2.3	6.7	137.2	10	6	460	78	1000
MP057SB303	2.8	1.13	6.1	147	10	4	460	78	1000
MP057SB501	2	6	32	250	12	4	620	115	1300