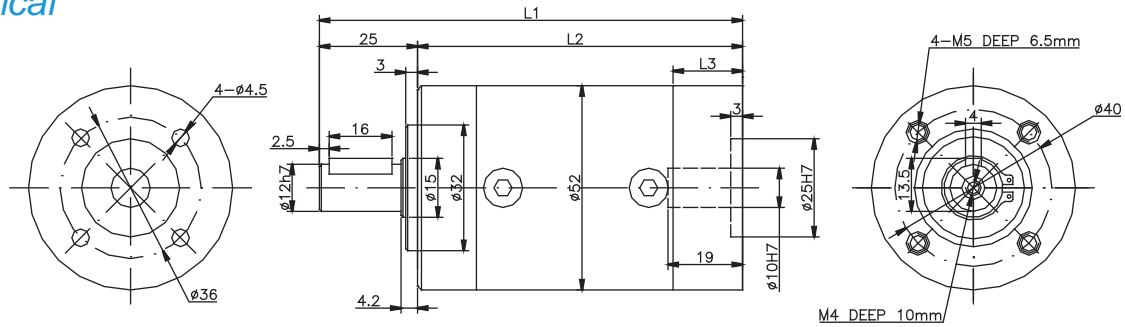


# MGH052 Planetary Gearbox



## Mechanical



## Specifications

No. Of Stages	1 Stage Reduction	2 Stage Reduction	3 Stage Reduction
Gearing Efficiency	90%	81%	73%
Max. Radial Force	200N	320N	450N
Max. Axial Force	60N	100N	150N
Peak Torque	3 Times Rated Torque		
Working Temperature	-10°C ~ +80°C		
Lubrication Mode	Lifetime Lubrication		
Mounting Mode	Any Mounting		
Recommend Input Speed	3000RPM		
Input And Output	Same Direction		
Gearbox Length L1	91.4mm	107.8mm	124.2mm
Box Length L2	66.4mm	82.8mm	99.2mm
Rear Cover Length L3	17.7mm		

First Planetary Material		1 Stage Reduction	2 Stage Reduction	3 Stage Reduction
Transmission Torque	Plastic POM	1.2Nm	4Nm	25Nm
	Metal 40Cr	4Nm	12Nm	25Nm
Noise	Plastic POM	45dB(A)		
	Metal 40Cr	60dB(A)		

## Gear Ratio

1 Stage Reduction	2 Stage Reduction	3 Stage Reduction	
3.65	13(13.3)	49(48.63)	188(188.2)
5.36	20(19.5)	71(71.4)	206(206.3)
6.55	24(23.9)	87(87.2)	248(247.9)
8.63	29(28.7)	105(104.8)	272(271.8)
	31(31.5)	115(114.9)	281(281)
	35(35.1)	128(128.1)	303(302.9)
	43(42.9)	154(154)	370(370.2)
	46(46.2)	157(156.6)	399(399.2)
	56(56.5)	169(168.8)	489(488.8)