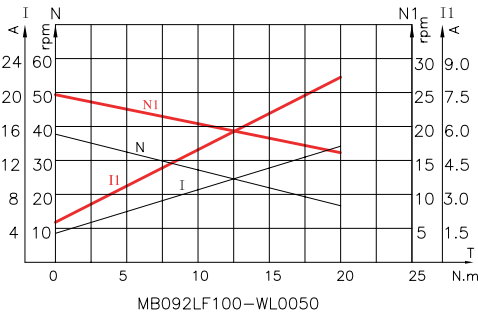
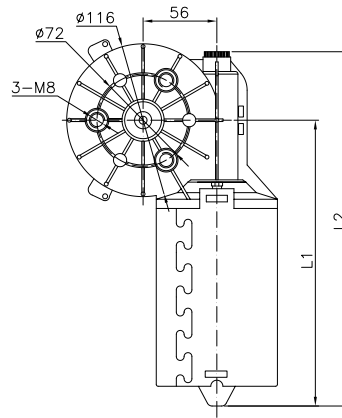
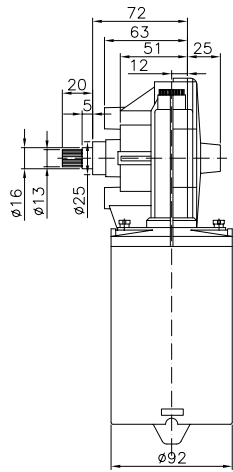


# WL series gearmotor

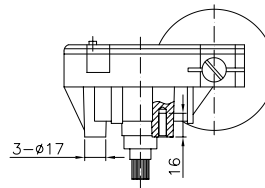


- Aluminum Diecasting Gearbox
- Rolled Steel Housing Construction
- Dual Speed Design
- Dynamically Balanced Rotor

## Mechanical



---BLK High Speed, ---RED Low Speed



## Performance Data at Rated 12V DC

Part No.	No-Load Speed (rpm)	Rated			Peak Torque (N.m)	L1 (mm)	L2 (mm)
		Speed (rpm)	Current (A)	Torque (N.m)			
MB092LF100-WL0050	38	25	10	12.5	20	223.5	276.5
	25	19	5.7	13	20		
MB092LC100-WL0050	37	25	9.7	12	20	235	288
	23	15	7.8	16	20		