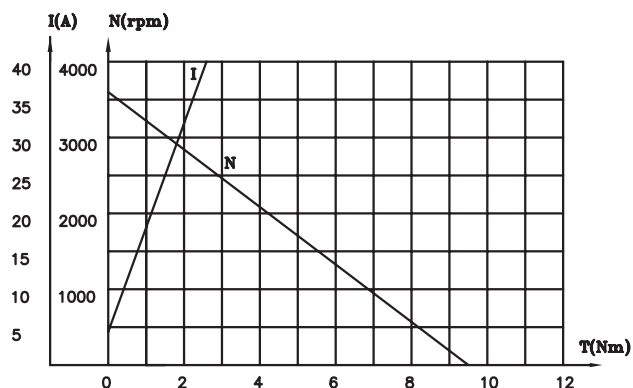


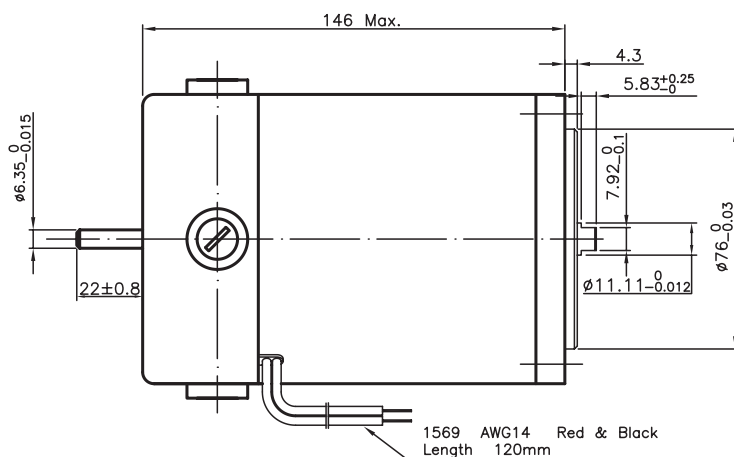
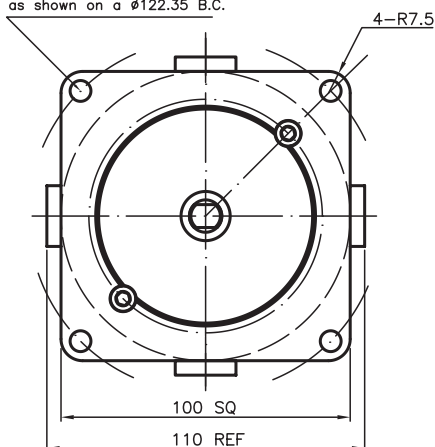
DC Brush Moter

MB100FG



Mechanical

$\phi 7.2$ thru 4 EQ.SPD.
as shown on a $\phi 122.35$ B.C.



Typical Performance:

- Rated at 24V DC
- No-Load 3600rpm
- Insulation Class: F
- Ball bearings in both front and rear endcap
- Continuous Duty
- Lifetime: 1500 hours
- Max Continuous Torque: 1.5Nm
- Rated Speed: 3000rpm
- Max. Torque: 9.5Nm