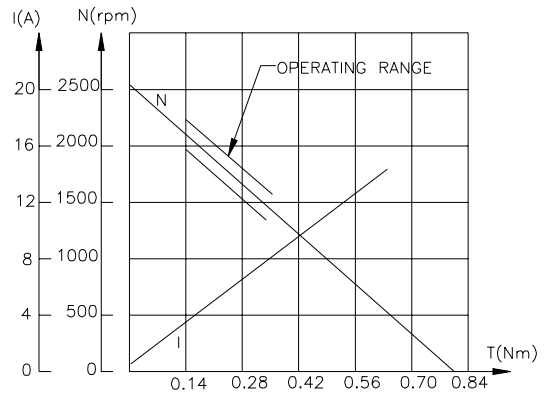
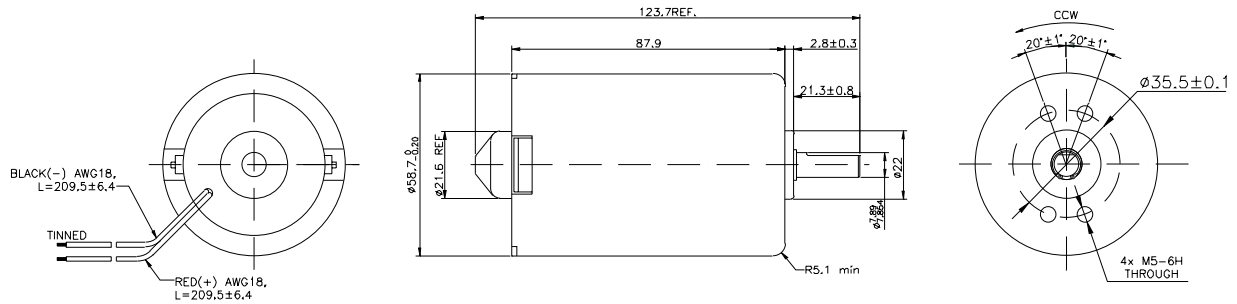


# DC Brush motor

## MB059FG100



## Mechanical



## Typical Performance:

- Rated at 12.8V DC
- No-Load 2500rpm @0.6A
- Insulation Class: F ; Protection Class: IP 30
- Front endcap: Ball bearing; Rear endcap: Sleeve bearing.
- Short Duty: 5 minutes
- Lifetime: 1500 hours

Torque (N. cm)	14	35
Speed (rpm)	2100	1500
Current (A)	3.6	8.3

Applications: Pumps