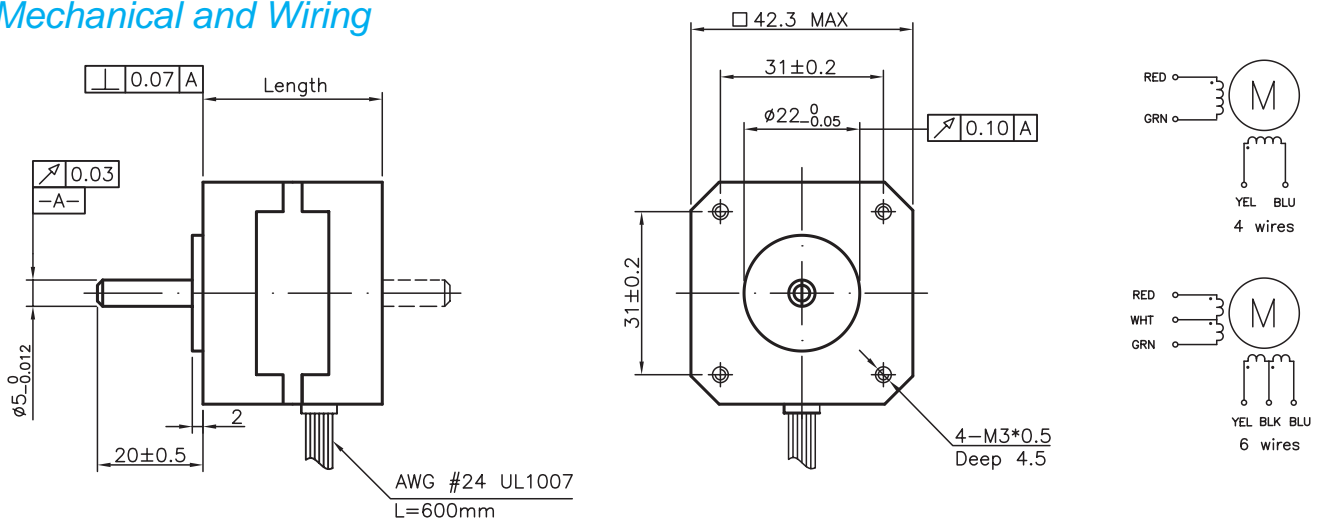


42mm, 0.9Degree Enhanced Hybrid Stepper Motor

MP042SB



Mechanical and Wiring



Specifications

Part No.	Phase Current (A)	Phase Resistance (Ohms)	Phase Inductance (mH)	Holding Torque (Ncm)	Detent Torque (Ncm)	No. of Wires	Rotor Inertia (g.cm ²)	Length (mm)	Weight (g)	
MP042SB101	0.95	3.7	3.4	15.5	1.96	6	34	34	220	
MP042SB102	0.6	10	6.1							
MP042SB103	0.3	35	48							
MP042SB104	1.2	2.1	4.9			20.6				4
MP042SB105	0.5	20	35			18.6				2.16
MP042SB301	1.2	3.0	4.0	25.5	2.45	6	54	40	280	
MP042SB302	0.8	7.5	8.6							
MP042SB303	0.4	30	36							
MP042SB304	1.68	1.5	4.0	35.3	4					
MP042SB501	1.2	3.3	4.5	31.4	2.74	6	68	48	350	
MP042SB502	0.8	7.5	6.3							
MP042SB503	0.4	30	31							
MP042SB504	1.68	1.54	3.5			41.2				4