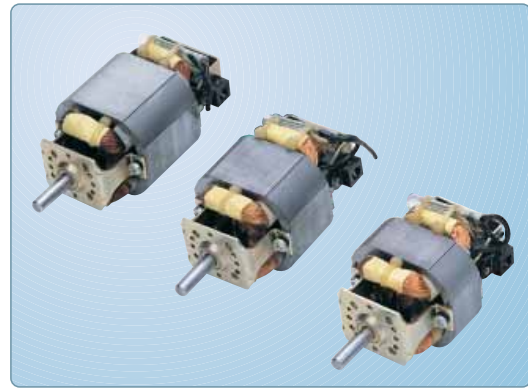


MU060 series

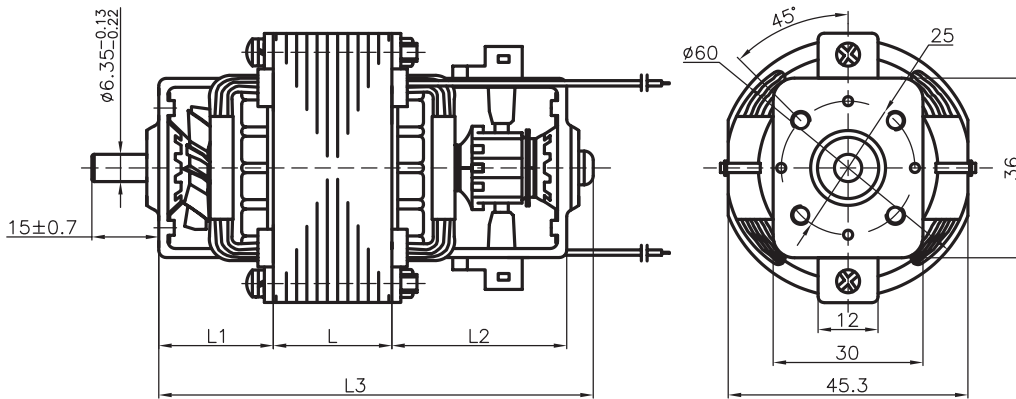
Universal Motor

OPTION:

- Voltage: 100-240V AC
- Insulation Class A, E, B
- Special Mounting and Shaft Extension
- CE or UL certificate available



Mechanical



Performance Data

Specification	MU060Y201	MU060Y281	MU060X281	MU060Y331	MU060X331
Voltage	230V/50Hz	230V/50Hz	120V/60Hz	230V/50Hz	120V/60Hz
L1(mm)	21	21	21	25	25
L2(mm)	30	30	30	32	32
L3(mm)	75	88	88	95	95
L(mm)	20	28	28	33	33
No-Load Current(A)	0.674	0.84	1.22	0.41	1.2
Speed(rpm)	17759	18262	18028	16407	19103
Max Efficiency(%)	41.1	49.2	48.1	64.7	54.8
Current(A)	1.369	1.166	2.168	0.758	2.132
Speed(rpm)	9374	10288	10787	7730	10950
Torque(N.cm)	10.5	10.09	9.17	13.48	10.11
Output(w)	103.3	108.7	103.59	109.12	115.93
Max Output(w)	105.0	120.52	121.43	115.19	139.94
Current(A)	1.52	1.57	3.102	1.327	3.043
Speed(rpm)	8189	7139	7149	6351	7733
Torque(N.cm)	12.25	16.12	16.22	17.32	17.28