

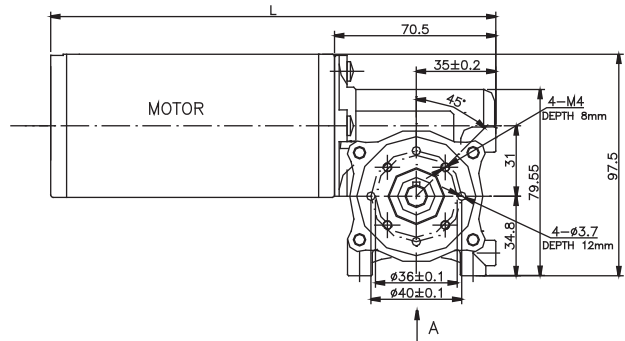
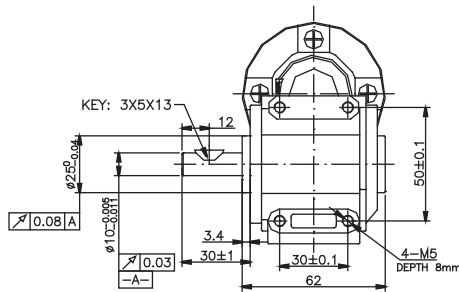
Gearbox



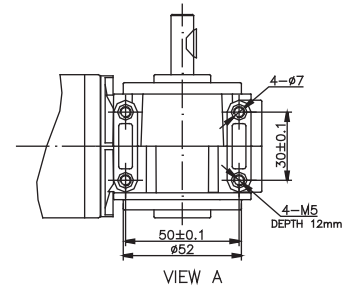
Standard Feature

- Ball bearing on output shaft
- Low noise
- Other ratio on request
- Compatible for MB063KG PMDC and MB057GE BLDC motor
- Double output shaft available

Mechanical



Motor Part No.	Total Length (mm)
MB063KG100/MB063KG150	166
MB063KG200/MB063KG250	196



Specifications

SG 80 GEARBOX PARAMETER					
Ratio		10	15	36	50
Efficiency		0.63	0.52	0.4	0.33
Continuous Torque	Ncm	400			
Weight	Kg	0.4			
Axial Load/ Radial Load	N	300/350			