

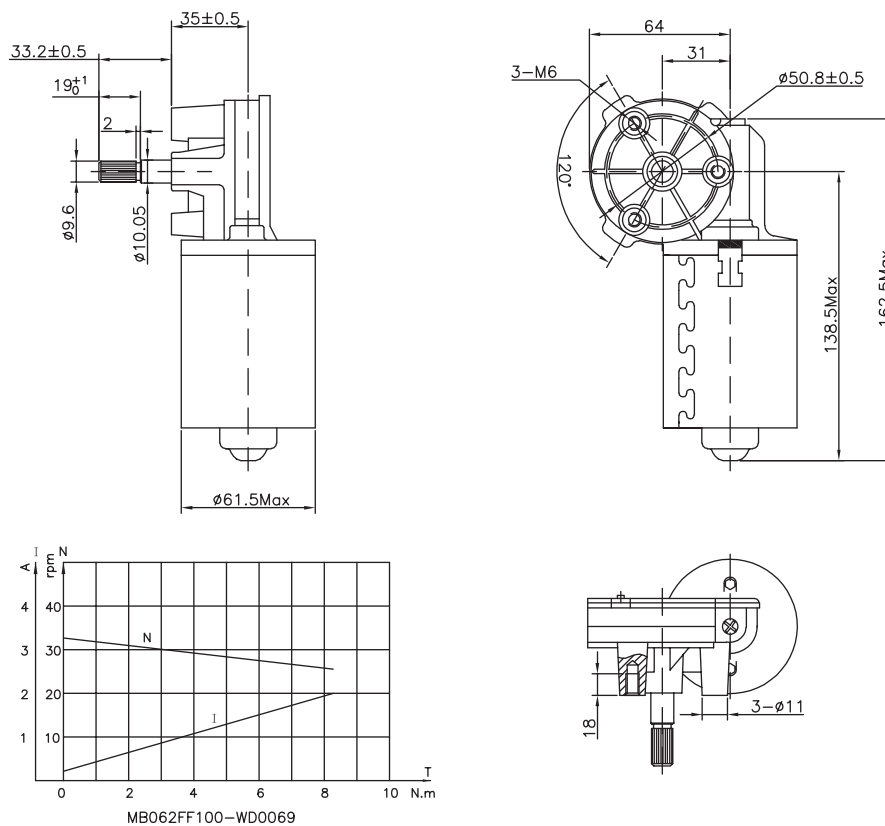
WD series gearmotor



General information

- Aluminum Diecasting Gearbox
- Rolled Steel Housing Construction
- Built-in EMC Components
- Hall Sensor Feedback Available
- Various Output Shaft Extension

Mechanical



Specifications

Part No.	No-Load Speed (rpm)	Rated				Peak Torque (N.m)
		Voltage (V)	Speed (rpm)	Current (A)	Torque (N.m)	
MB062FF100-WD0069	33	24	28	2.5	6	10
MB062FF105-WD0069	62	12	52	12	3	10
MB062FF100-WD0055	77	24	70	3.5	4	14