

MB080FG PMDC Series Motor



General information

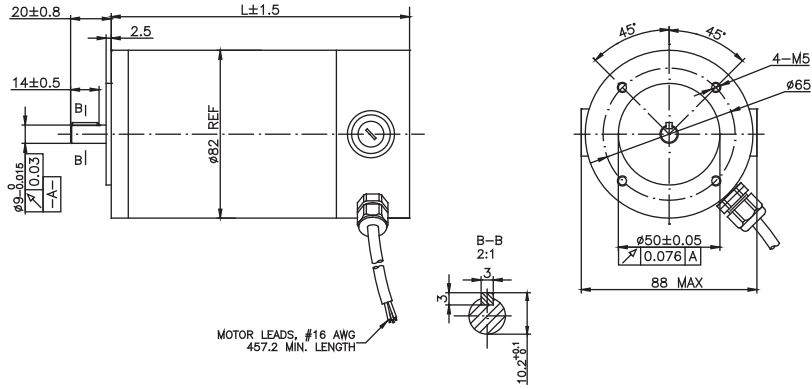
- Nema 34 IEC 56/B14 Mounting Flange.
- Used for Servo/Drive application
- Voltage 90V and Max. Speed 6000rpm
- Insulation Class: F With UL certificate per request
- Continuous Torque from 0.5Nm to 1.58Nm
- 2Pole Ceramic Magnet Structure with Low Cogging
- High Quality ball bearings in both front and rear endcap
- Continuous Duty
- Externally Replaceable Brush Structure

Specifications

Specification	MB080FG200	MB080FG400	MB080FG500	MB080FG600	MB080FG450
Max.Voltage (VDC)	90	90	90	90	90
Continuous Stall Torque (Nm)	0.52	0.84	1.2	1.58	0.84
Peak Stall Torque (Nm)	2.64	4.23	6	7.97	4.23
Max. Speed (RPM)	6000	4400	4800	3700	6000
Terminal Resistance (OHMS)	1.43	1.83	1.05	1.14	0.91
Inductance (mH)	3.9	5.42	2.93	3.51	2.31
Ke (V/KRPM)	12.5	20	18.4	23.8	13.36
Torque Constant (Nm/Amps)	0.12	0.19	0.17	0.23	0.13
Rotor Intertia (Kg.cm ²)	1.34	2.33	3.39	4.45	2.33
Friction Torque (Ncm)	3.53	4.24	4.94	5.64	4.23
Damping Torque (Ncm/KRPM)	0.56	0.71	0.85	0.99	0.71
Weight (Kg)	2.54	3.27	3.99	4.77	3.27
L (mm)	121.4	146.8	172.2	197.6	146.8

MB080FG PMDC Series Motor

Mechanical



Characteristic diagram

