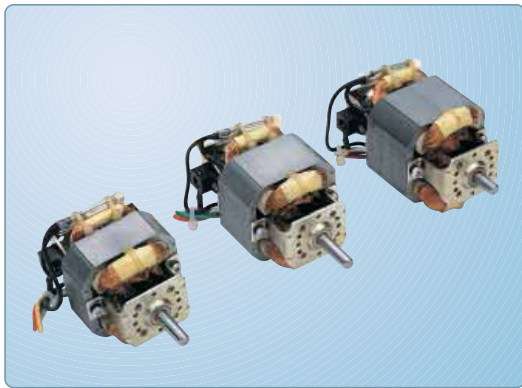


MU054 series

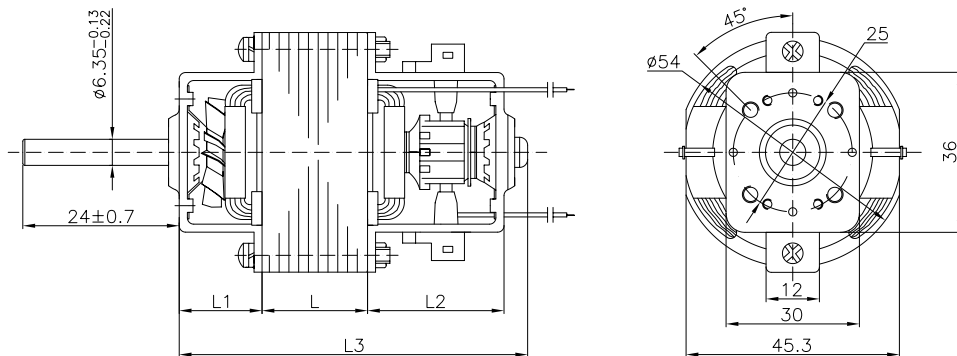
Universal Motor



OPTION:

- Voltage: 100-240V AC
- Insulation Class A, E, B
- Special Mounting and Shaft Extension
- CE or UL certificate available

Mechanical



Performance Data

Specification	MU054Y201	MU054Y301	MU054X301	MU054Y401	MU054X401
Voltage	230V/50Hz	230V/50Hz	120V/60Hz	230V/50Hz	120V/60Hz
L1(mm)	25	25	25	25	25
L2(mm)	32	32	32	32	32
L3(mm)	81	91	91	101	101
L(mm)	20	30	30	40	40
No-Load Current(A)	0.411	0.386	0.94	0.388	1.248
Speed(rpm)	16807	16291	17534	16257	19817
Max Efficiency(%)	46	52.8	51.4	53.7	59.4
Current(A)	0.645	0.61	1.725	0.806	2.399
Speed(rpm)	10453	11033	10715	8660	12611
Torque(N.cm)	5.94	5.55	8.05	9.08	11.13
Output(w)	65.02	64.13	90.33	82.35	146.99
Max Output(w)	72.9	87.95	104.56	88.35	177.76
Current(A)	0.893	1.042	2.351	0.96	3.258
Speed(rpm)	7534	6329	7363	6310	9733
Torque(N.cm)	9.24	13.27	13.56	13.37	17.44