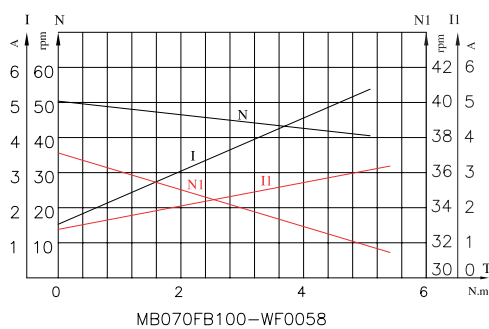
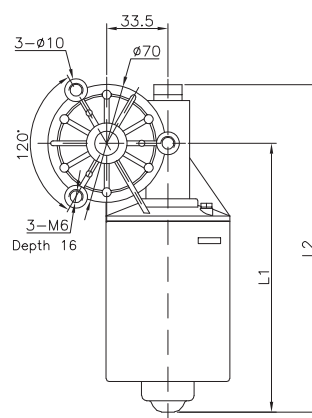
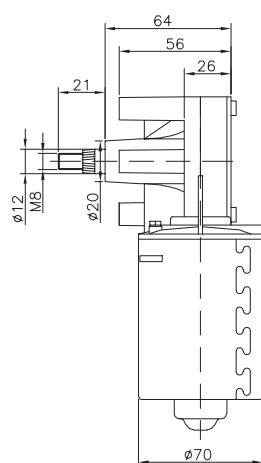


WF series gearmotor

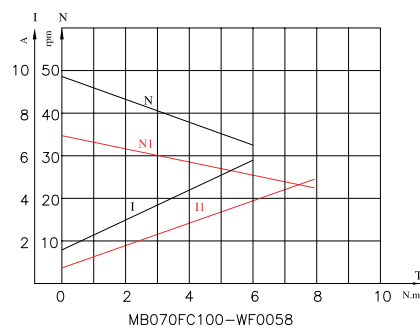


- Precise Diecasted Gearbox
- Rolled Steel Housing Construction
- Dual Speed Design
- Dynamically Balanced Rotor

Mechanical



---BLK High Speed,



---RED Low Speed

Performance Data at Rated 12V DC

Part No.	No-Load Speed (rpm)	Rated			Peak Torque (N.m)	L1 (mm)	L2 (mm)
		Speed (rpm)	Current (A)	Torque (N.m)			
MB070FB100-WF0058	50	43	4.2	3.6	5.5	142	176
	37.2	34.5	2.2	2.4	5.5		
MB070FC100-WF0058	48	38	4.2	5	6	160	195
	34	27	3.2	5	6		