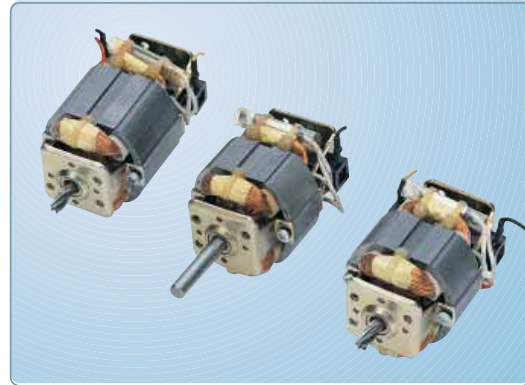


MU046 series

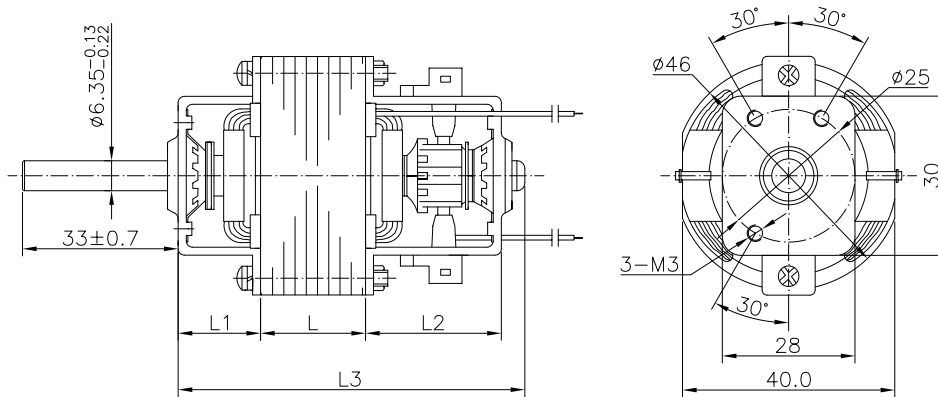
Universal Motor

OPTION:

- Voltage: 100-240V AC
- Insulation Class A, E, B
- Special Mounting and Shaft Extension
- CE or UL certificate available



Mechanical



Performance Data

Specification	MU046Y201	MU046X201	MU046Y301	MU046X301
Voltage	230V/50Hz	120V/60Hz	230V/50Hz	120V/60Hz
L1 (mm)	20	20	15	15
L2 (mm)	32	32	28	28
L3 (mm)	75	75	76	76
L (mm)	20	20	30	30
No-Load Current (A)	0.507	0.972	0.489	0.938
Speed (rpm)	15199	16432	16580	17090
Max Efficiency (%)	32.3	37.1	38.3	45.2
Current (A)	0.64	1.084	0.807	1.528
Speed (rpm)	9145	10332	10317	11159
Torque (N.cm)	4.43	4.04	6.32	6.23
Output (w)	42.38	43.7	68.2	72.8
Max Output (w)	44.2	45.2	70.7	83.13
Current (A)	0.673	1.137	0.899	1.943
Speed (rpm)	8331	8537	6758	7938
Torque (N.cm)	5.07	5.06	10	10